

Flute



The FLUTE LED pendant is a classic architecturally designed indoor luminaire made of anodized aluminium and an incorporated PMMA optic. With a CRI of 93 and an R9 value of 82, the LED sources provide exceptional color rendering. The color consistency is further ensured by 2-step MacAdam ellipse binning. Finely detailed construction allows this product to be used in a variety of indoor applications either as a single pendant or in multiple clusters. FLUTE is available in 3 standard finishes with the option to create a one-of-a-kind lighting element with a custom painted color. The classic Italian design of FLUTE combined with modern LED technology provides illumination and architectural integrity to any project.

Standard Finishes

- silver anodized aluminum
- black anodized aluminum
- red anodized aluminum
- champagne anodized aluminum
- ever-bright copper



Silver Anodized Aluminum



Black Anodized Aluminum



Red Anodized Aluminum



Champagne Anodized Aluminum



Ever-Bright Copper

JOB:	TYPE:	QUANTITY:
------	-------	-----------

NOTES:

Technical Data



Input

120VAC

Wattage

6W

Color Temperatures

2700°K (WW), 3000°K (W), 4000°K (N),
Dim to Warm - 1800°K-3000°K (DtW)
2 step MacAdam ellipse binning

CRI / R9

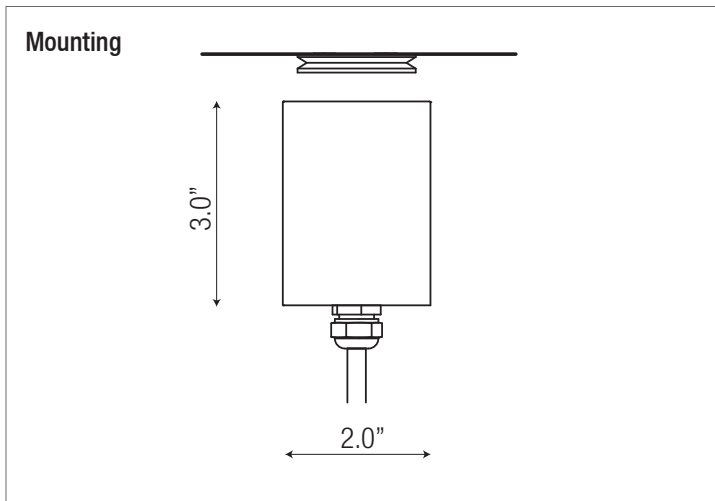
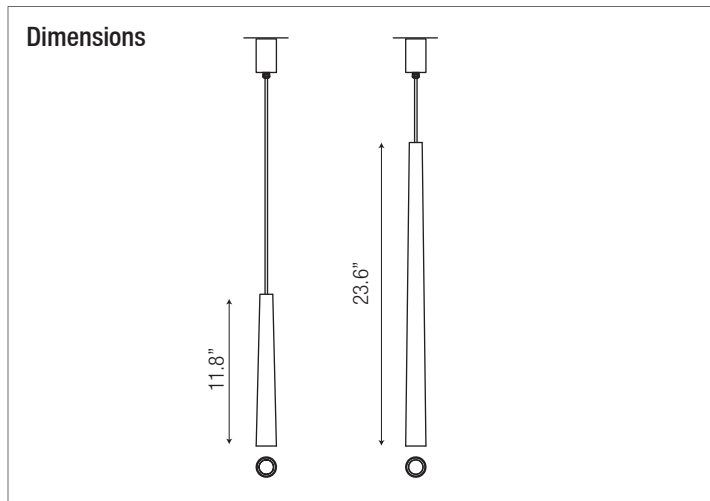
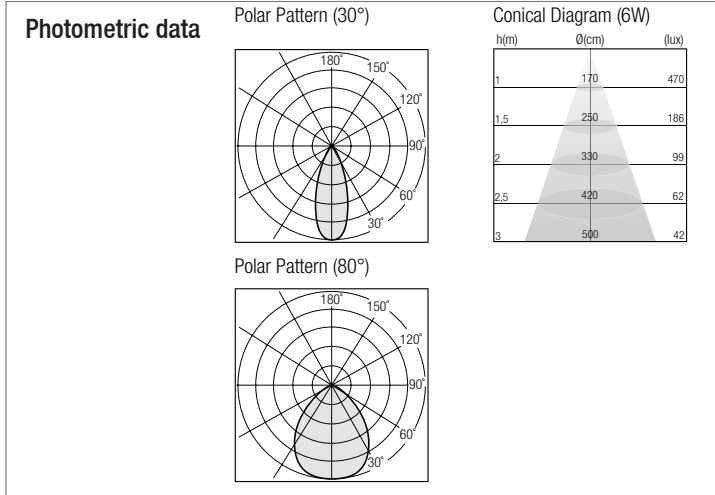
92 / 84

Lumens

592 lm (WW) 612 lm (W) 678 lm (N)

Optic

30°, 80°



Order Code

Code	Size	Wattage	Power	CRI & CCT	Optic	Body Finish
FLU	-	6W	120V	-	-	-

MIN = Mini
MAX = Maxi

927 = 90 CRI, 2700°K
930 = 90 CRI, 3000°K
940 = 90 CRI, 4000°K
DTW = 90 CRI, 1800°K-3000°K

36 = 36°
80 = 80°

SAA = Silver Anodized Aluminum
BAA = Black Anodized Aluminum
RAA = Red Anodized Aluminum
CAA = Champagne Anodized Aluminum
EBC = Ever-Bright Copper

Eg. FLU-MAX-6W-120V-930-36-RAA