

# Aura



The AURA is a precise integration of finished metal and acrylic PMMA lensing. An architectural accent light, AURA provides soft, even illumination for stairways and corridors. It can also be applied as a simple walkway marker light. With a CRI of 93 and an R9 value of 82, these LED sources provide exceptional color rendering. The color consistency is further ensured by 2-step Mac-Adam ellipse binning. Durable construction allows this product to be used in both interior and exterior IP65 applications. AURA is available in 8 standard finishes with the option to create a one-of-a-kind lighting element with a custom painted color. The classic Italian design of AURA combined with modern LED technology provides illumination and architectural integrity to any project.

### Standard Finishes

- shining palladium
- golden palladium
- ever-bright brass
- everbright copper
- natural copper
- natural bronze
- white painted
- corten painted



Shining Palladium



Gold Palladium



Ever-bright Brass



Ever-Bright Copper



Natural Copper



Natural Bronze



White Painted



Corten Painted

JOB:	TYPE:	QUANTITY:
------	-------	-----------

NOTES:

**Technical Data**

**Current**

350ma (when using CC)\*

**Voltage**

2 ~ 3V (when using CC)\*  
24VDC

**Wattage**

1.2W

**Color Temperatures**

2700°K (WW), 3000°K (W), 4000°K (N)  
2 step MacAdam ellipse binning

**CRI / R9**

92 / 84

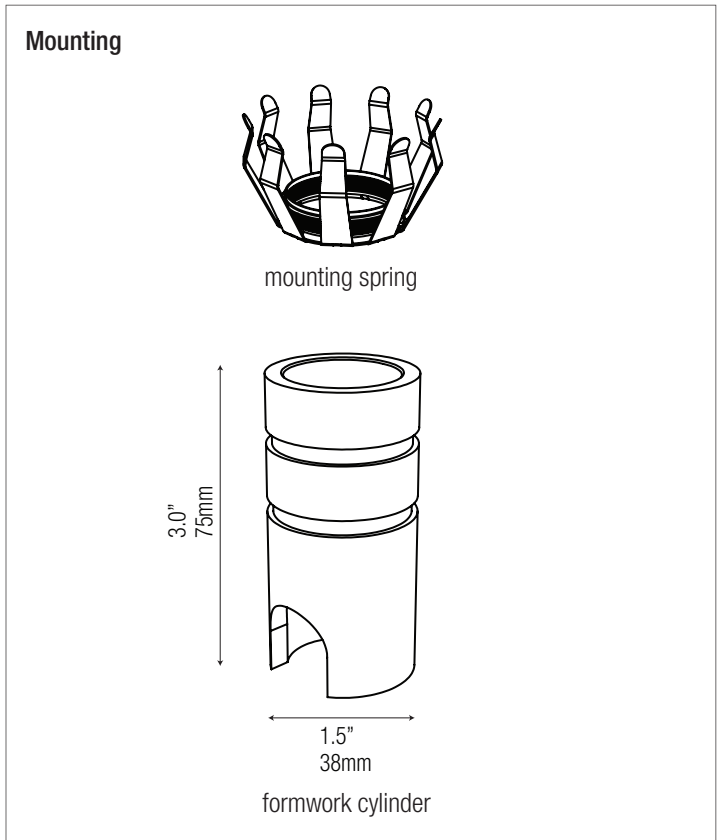
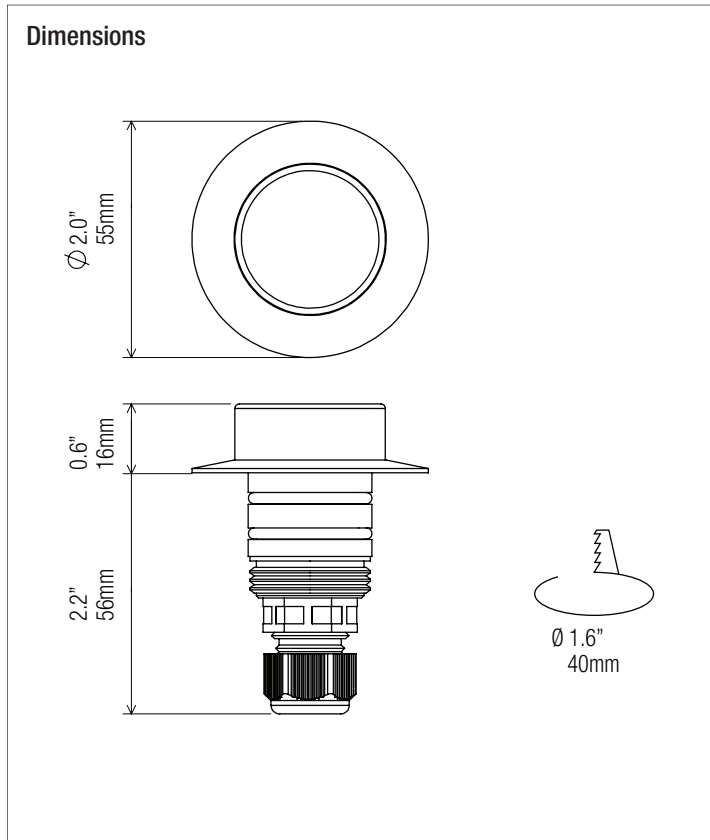
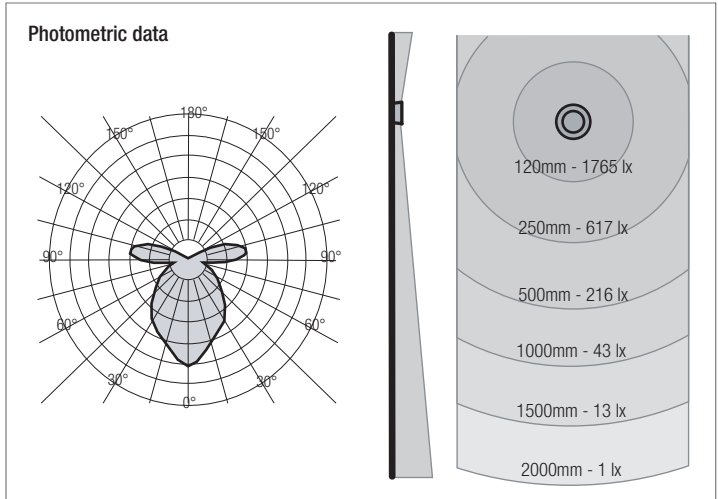
**Lumens**

140 lm (WW) 150 lm (W) 170 lm (N)

**Optic**

360°

\*using CC option will allow for the best dimming performance, 1% (phase), 0.1% (0-10V)



**Order Code**

Code	Wattage	Input	CRI & CCT	Finish	Mounting
AUR	- 2W	-	-	-	-
	<b>350</b> = 350mA	<b>927</b> = 90 CRI, 2700°K	<b>SP</b> = Shining Palladium	<b>SPR</b> = Spring	
	<b>24</b> = 24VDC	<b>930</b> = 90 CRI, 3000°K	<b>GP</b> = Gold Palladium	<b>FWC</b> = Formwork	cylinder
		<b>940</b> = 90 CRI, 4000°K	<b>EBR</b> = Ever-bright Brass		
			<b>EBC</b> = Ever-bright Copper		
			<b>NBZ</b> = Natural Bronze		
			<b>WH</b> = White		
			<b>XX</b> = Custom		

**Drivers - Constant Current 350mA**

**Non-dimmable**

DR-4W350MA-OUT - 1 to 3 pieces

**Universal Dimmable (TRAIC/ELV/0-10V)**

DR-15W350MA-DIWL-UNV - 8 to 12 pieces

**Drivers - 24VDC**

**Non-dimmable**

DR-30W24VDC-OUT - 1 to 20 pieces

**Phase Dimmable**

DR-24W24VDC-DIMA - 1 to 16 pieces

**0-10V Dimmable**

DR-40W24VDC-DIMW-0-10V - 1 to 30 pieces