

Blume L



BLUME L is a suspended pendant luminaire with the outer shell comprised of precisely cut aluminum anodized battens. Precisely machined, lightly sandblasted PMMA optics provide soft even illumination for desk-tops, counters and other horizontal surfaces. With a CRI of 93 and an R9 value of 82, the LED sources provide exceptional color rendering. The color consistency is further ensured by 2-step MacAdam ellipse binning. BLUME L is a beautifully crafted architectural element that allows this product to be used in many interior applications. BLUME L is available in three standard finishes.

Standard Finishes

- silver anodized aluminum
- black anodized aluminum
- champagne anodized aluminum



Silver Anodized Aluminum



Black Anodized Aluminum



Champagne Anodized Aluminum

JOB:	TYPE:	QUANTITY:
------	-------	-----------

NOTES:

Technical Data



Input

120-277VAC - TRIAC/ELV/0-10V Dimmable

Wattage

25W

Color Temperatures

2700°K (WW), 3000°K (W), 4000°K (N)

2 step MacAdam ellipse binning

CRI / R9

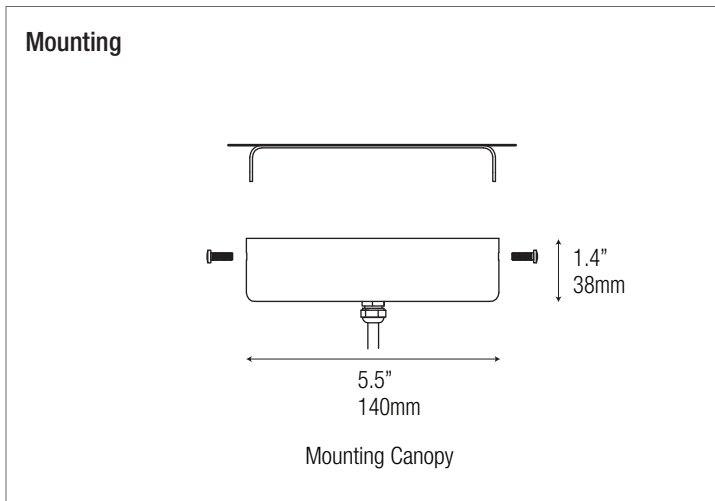
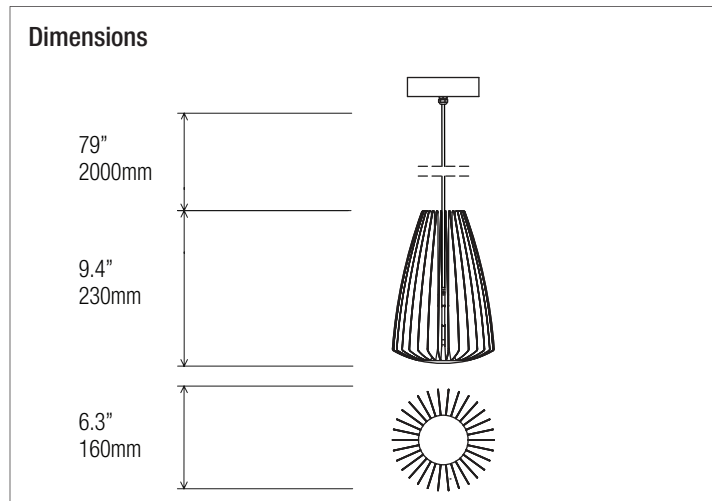
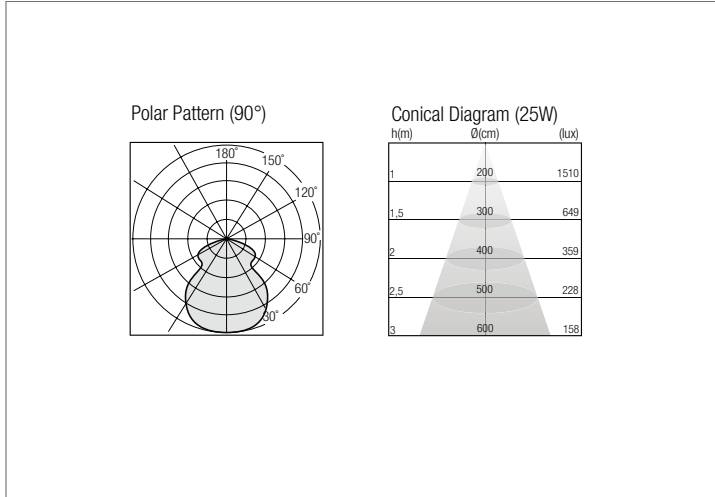
92 / 84

Lumens

2863 lm (WW) 2900 lm (W) 3025 lm (N)

Optic

90°



Order Code

Code	Wattage	Dimming	CRI & CCT	Body Finish	Canopy Finish
BLL	25W	UNV			

- 927 = 90 CRI, 2700°K SAA = Silver Anodized Aluminum BL = Black Painted
- 930 = 90 CRI, 3000°K BAA = Black Anodized Aluminum WH = White Painted
- 940 = 90 CRI, 4000°K CAA = Champagne Anodized Aluminum

Eg. BLL-25W-UNV-927-BAA-BL