

Ryu



RYU is a precise integration of die-cast and finished aluminum. An architectural accent light, RYU provides soft, even illumination for stairways and corridors. It can also be applied as a simple walkway marker light. With a CRI of 93 and an R9 value of 82, these LED sources provide exceptional color rendering. The color consistency is further ensured by 2-step MacAdam ellipse binning. Durable construction allows this product to be used in both interior and exterior IP65 applications. RYU is available in 4 standard finishes with the option to create a one-of-a-kind lighting element with a custom painted color. The clean modern Italian design of RYU combined with modern LED technology provides illumination and architectural integrity to any project.

Standard Finishes

corten painted
grey
natural copper
zinc



Corten Painted



Grey



Natural Copper



Zinc

JOB:

TYPE:

QUANTITY:

NOTES:

Technical Data



Input

24Vdc

Wattage

3W

Color Temperatures

2700°K (WW), 3000°K (W), 4000°K (N)

2 step MacAdam ellipse binning

CRI / R9

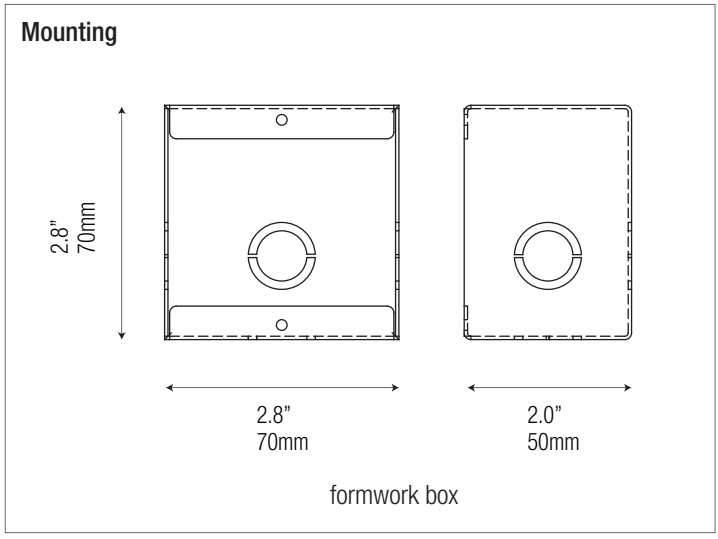
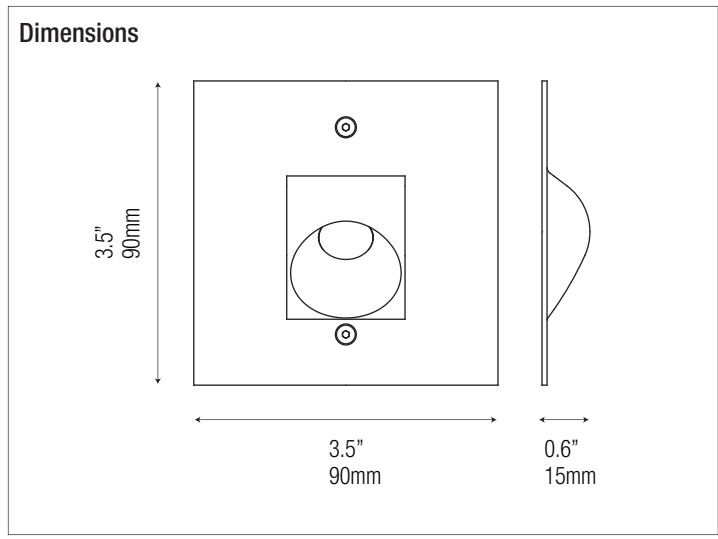
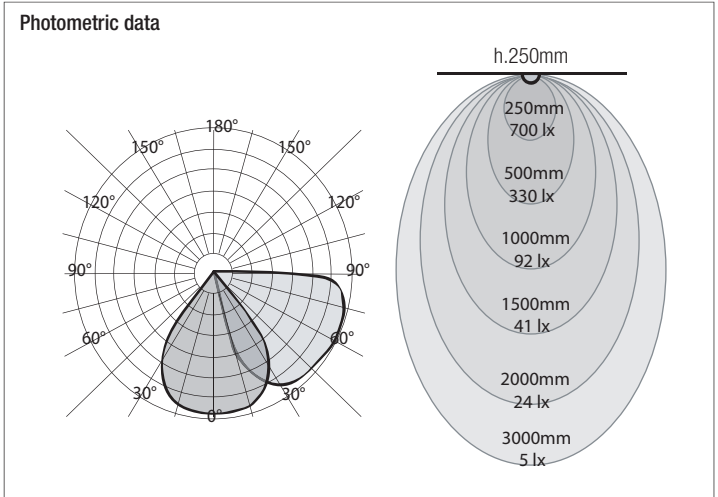
92 / 84

Lumens

350 lm (WW) 375 lm (W) 426 lm (N)

Optic

80°



Order Code:

Code Wattage Voltage CRI & CCT Finish Mounting (optional)

RYU - 3W - 24VDC - _____ - _____ - _____

927 = 90 CRI, 2700°K
930 = 90 CRI, 3000°K
940 = 90 CRI, 4000°K

CT = Corten
GY = Grey
NC = Natural Copper
ZN = Zinc

FWB = Formwork box

Drivers

Non-dimmable

DR-30W24VDC-OUT - 1 to 9 pieces

Phase Dimmable

DR-24W24VDC-DIMA - 1 to 7 pieces

0-10V Dimmable

DR-40W24VDC-DIMW-0-10V - 1 to 12 pieces