

Eolo



EOLO is a precise integration of classic architectural design and exquisitely finished formed metals. EOLO provides soft, directional illumination for walkways, steps and pathways. The LED sources, with a CRI of 93 and an R9 value of 82, provide exceptional color rendering. The color consistency is further ensured by 2-step MacAdam ellipse binning. Durable construction allows this product to be used in both interior and exterior IP65 applications. EOLO is available in 8 standard finishes with the option to create a one-of-a-kind lighting element with a custom painted color. The classic contemporary Italian design of EOLO combines with modern LED technology to provide discreet illumination and architectural integrity to any project.

Standard Finishes

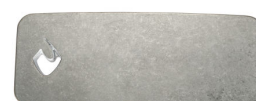
shining palladium
natural copper
zinc



Shining Palladium



Natural Copper



Zinc

JOB:	TYPE:	QUANTITY:
------	-------	-----------

NOTES:

Technical Data

Input

700MA Constant Current

Voltage

2~3V

Wattage

3W

Color Temperatures

2700°K (WW), 3000°K (W), 4000°K (N)

2 step MacAdam ellipse binning

CRI / R9

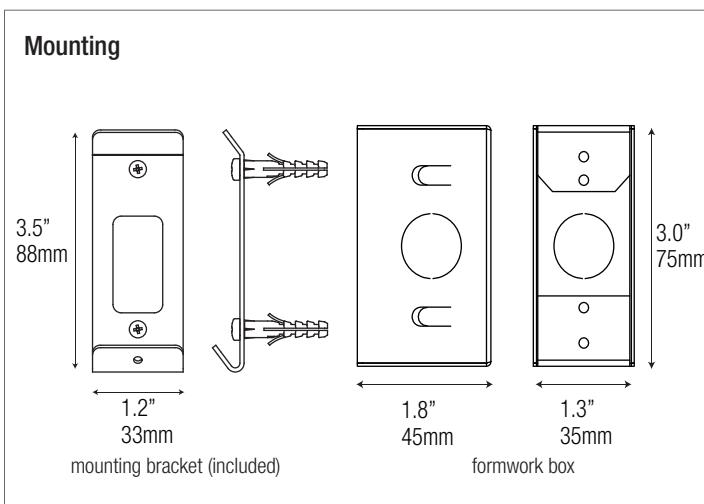
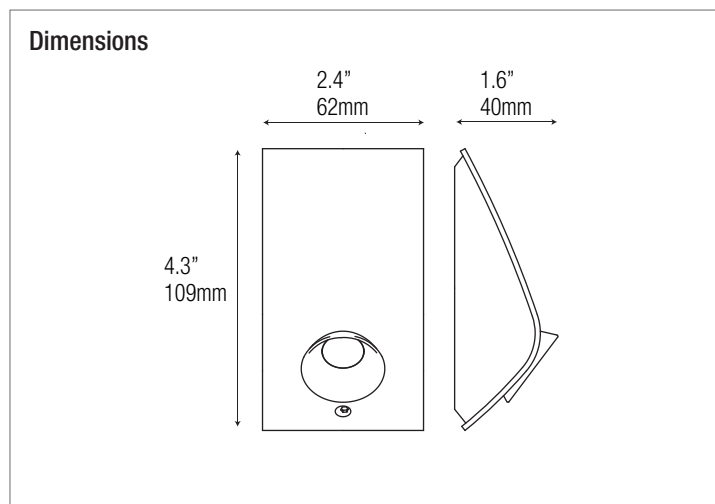
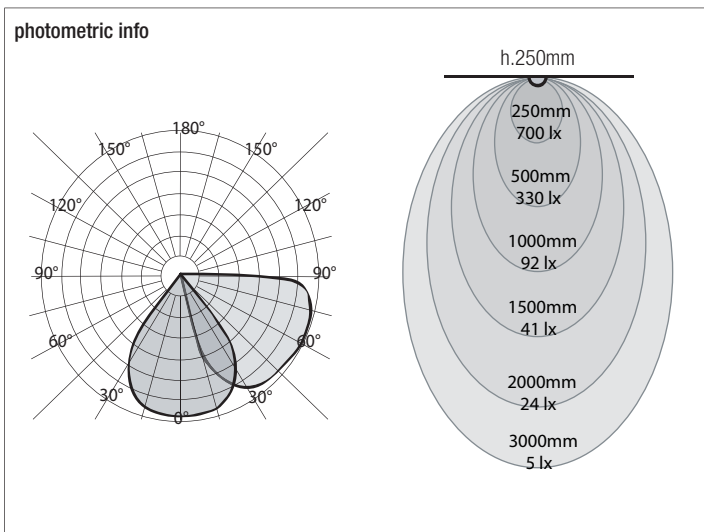
92 / 84

Lumens

350lm (WW) 375lm (W) 426lm (N)

Optic

80°



Order Code

Code Wattage Voltage CRI & CCT Finish Mounting (optional)

EOLO - 3W - 700MA - _____ - _____ - _____

- | | | |
|-----------------------------|-------------------------------|---------------------------|
| 927 = 90 CRI, 2700°K | SP = Shining Palladium | FWB = Formwork box |
| 930 = 90 CRI, 3000°K | NC = Natural Copper | |
| 940 = 90 CRI, 4000°K | ZN = Zinc | |
| | XX = Custom | |

Drivers

Non-dimmable

DR-4W700MA-OUT - 1 piece

Universal Dimmable (TRIAC/ELV/0-10V)

DR-15W700MA-DIWL-UNV - 4 to 5 pieces