

# Walker



The PURALUCE WALKER is an architectural accent light that can be applied as a simple exterior or interior walkway marker light that will provide soft, even illumination. It can be used for stairway and corridors applications. The soft die-cast housing introduces a unique architectural element to any design. With a CRI of 93 and an R9 value of 82, these LED sources provide exceptional color rendering. The color consistency is further ensured by 2-step MacAdam ellipse binning. Durable die-cast construction allows this product to be used in both interior and exterior IP65 applications. WALKER is available in 5 standard finishes.

## Standard Finishes

- natural bronze
- corten painted
- shining palladium
- natural copper
- zinc



Natural Bronze



Corten Painted



Shining Palladium



Natural Copper



Zinc

JOB:	TYPE:	QUANTITY:
------	-------	-----------

## NOTES:

**Technical Data**



**Current**

700mA

**Voltage**

2~3V

**Wattage**

3W

**Color Temperatures**

2700°K (WW), 3000°K (W), 4000°K (N)

2 step MacAdam ellipse binning

**CRI / R9**

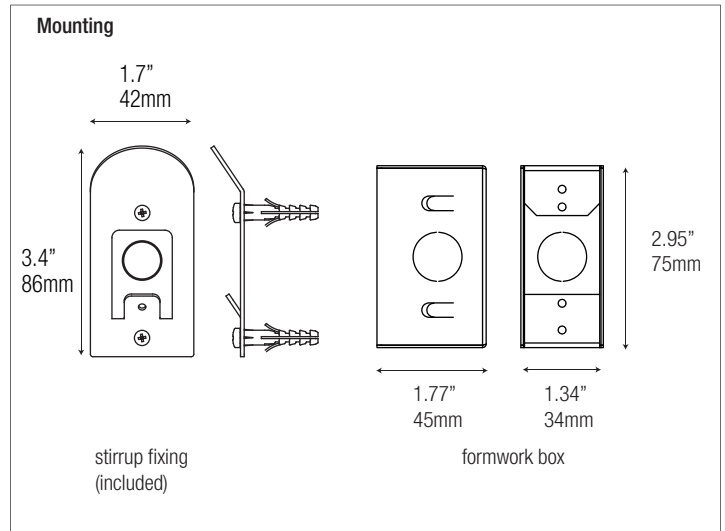
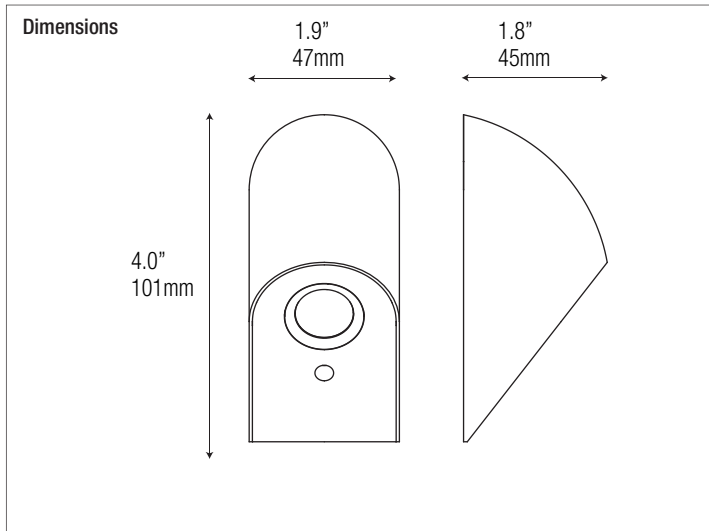
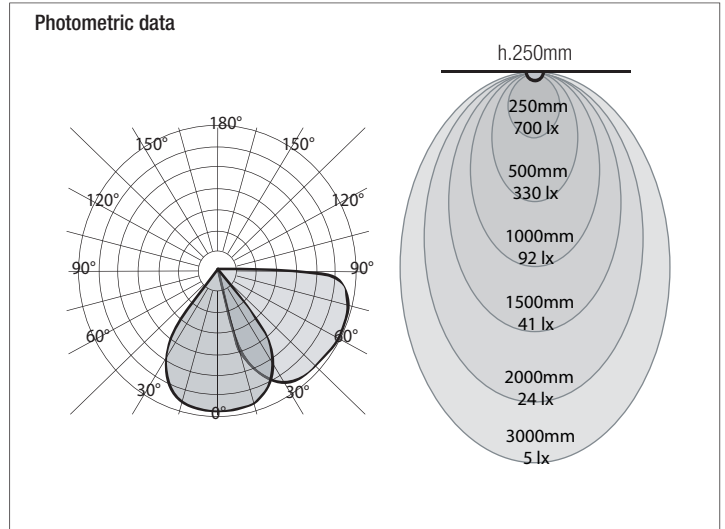
92 / 84

**Lumens**

350lm (WW) 375lm (W) 426lm (N)

**Optic**

80°



**Order Code:**

Code    Wattage    Voltage                      CRI & CCT                      Finish                      Mounting (optional)

WLK - 3W - 700MA - \_\_\_\_\_ - \_\_\_\_\_ - \_\_\_\_\_

- 927** =90 CRI, 2700°K      **NB** = Natural Bronze      **FWB** = Formwork box
- 930** =90 CRI, 3000°K      **CT** = Corten
- 940** =90 CRI, 4000°K      **SP** = Shining Palladium
- NC** = Natural Copper
- ZN** = Zinc
- XX** = Custom

**Drivers**

**Non-dimmable**

DR-4W700MA-OUT - 1 piece

**Universal Dimmable (TRIAC/ELV/0-10V)**

DR-15W700MA-DIWL-UNV - 4 to 5 pieces