

Round | Square



The ROUND and SQUARE are a precise integration of classic architectural design and exquisitely finished formed metals and PMMA lenses. ROUND and SQUARE provide soft even, illumination as marker lights for walkways, steps and pathways. The LED sources, with a CRI of 93 and an R9 value of 82, provide exceptional color rendering. The color consistency is further ensured by 2-step MacAdam ellipse binning. Durable construction allows this product to be used in both interior and exterior IP65 applications. ROUND and SQUARE are available in 1 standard finish with the option to create a one-of-a-kind lighting element with a custom painted color to match wall colors or to apply wall coverings. The classic contemporary Italian design of ROUND and SQUARE combined with modern LED technology provides discrete illumination and architectural integrity to any

Standard Finishes

stainless steel
natural bronze



Shining Palladium



Natural Bronze

JOB:	TYPE:	QUANTITY:
------	-------	-----------

NOTES:

Technical Data

Current

350ma (when using CC)*

Voltage

2 ~ 3V (when using CC)*
24VDC

Wattage

1.2W

Color Temperatures

2700°K (WW), 3000°K (W), 4000°K (N)
2 step MacAdam ellipse binning

CRI / R9

92 / 84

Lumens

140 lm (WW) 150 lm (W) 170 lm (N)

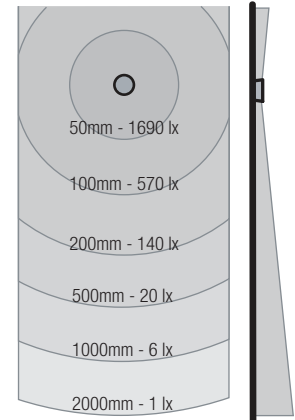
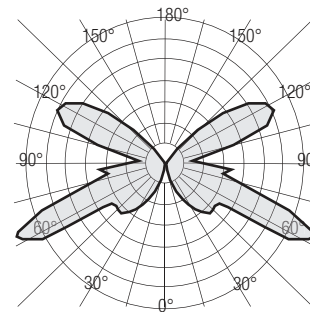
Optic

360°

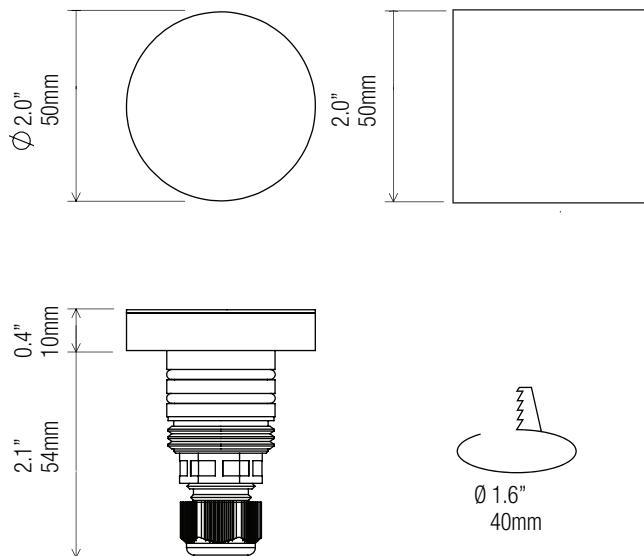
*using CC option will allow for the best dimming performance,
1% (phase), 0.1% (0-10V)



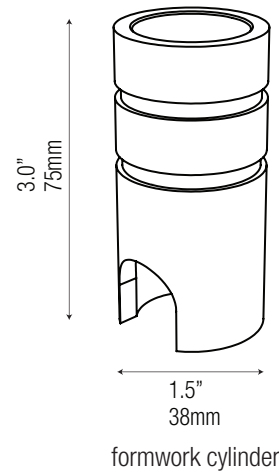
Photometric data



Dimensions



Mounting



Order Code

Code	Wattage	Input	CRI & CCT	Finish	Mounting
	- 2W -				
ROU = Round SQA = Square	350 = 350mA 24 = 24VDC	927 = 90 CRI, 2700°K 930 = 90 CRI, 3000°K 940 = 90 CRI, 4000°K	SS = Stainless Steel NBZ = Natural Bronze XX = Custom	SPR = Spring FWC = Formwork cylinder	

Drivers - Constant Current 350mA

Non-dimmable

DR-4W350MA-OUT - 1 to 3 pieces

Universal Dimmable (TRIAC/ELV/0-10V)

DR-15W350MA-DIWL-UNV - 8 to 12 pieces

Drivers - 24VDC

Non-dimmable

DR-30W24VDC-OUT - 1 to 20 pieces

Phase Dimmable

DR-24W24VDC-DIMA - 1 to 16 pieces

0-10V Dimmable

DR-40W24VDC-DIMW-0-10V - 1 to 30 pieces