

Smart Car



SMARTCAR is a recessed inground luminaire made of precisely machined stainless steel AISI 316 or natural bronze suitable for drive over applications to a maximum of 3.5 tons. The 4 light distributions, 360°, 180°, 90° and 90°+90° afford flexible design options. The LED sources, with a CRI of 93 and an R9 value of 82, provide exceptional color rendering. The color consistency is further ensured by 2-step MacAdam ellipse binning. The durable construction allows this product to be used in both interior and exterior IP65 applications. SMARTCAR is available in 2 standard finishes.

Standard Finishes

316L stainless steel
natural bronze



316L Stainless Steel



Natural Bronze

JOB:	TYPE:	QUANTITY:
------	-------	-----------

NOTES:

Technical Data



Input

24vdc

Wattage

3W

Color Temperatures

2700°K (WW), 3000°K (W), 4000°K (N)

2 step MacAdam ellipse binning

CRI / R9

92 / 84

Lumens

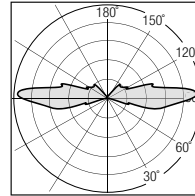
350lm (WW) 375lm (W) 426lm (N)

Optic

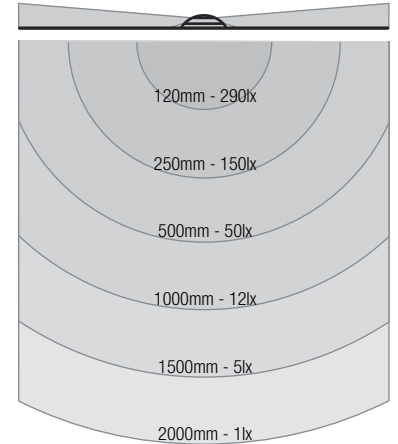
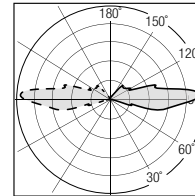
360°, 180°, 90°, 90+90°

Photometric data

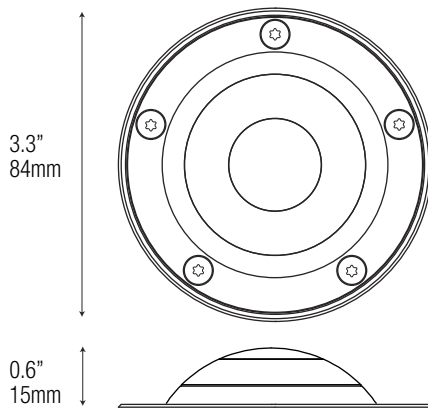
Polar diagram (360°)



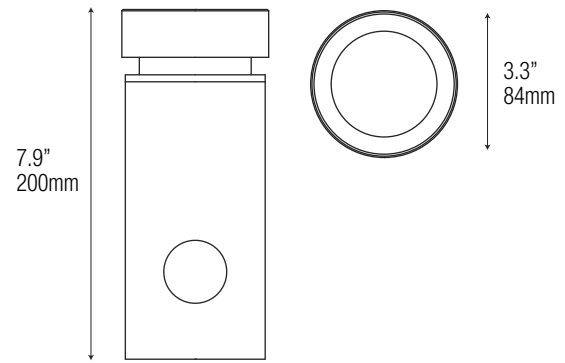
Polar diagram (180°)



Dimensions



Mounting



FWC - Formwork cylinder

Order Code:

Code	Wattage	Voltage	CRI & CCT	Beam	Finish	Lens	Mounting
SMC	- 3W	- 24VDC	-	-	-	-	- FWC
			927 =90 CRI, 2700°K	36 =360°	SS = Stainless Steel	CLR = Clear	
			930 =90 CRI, 3000°K	18 =180°	NC = Natural Bronze	FR = Frosted	
			940 =90 CRI, 4000°K	90 =90°			
				99 =90°+90°			

Drivers

Non-dimmable

DR-30W24VDC-OUT - up to 8 pieces

Phase Dimmable

DR-24W24VDC-DIMA - up to 7 pieces

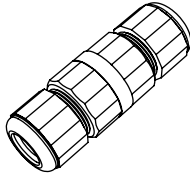
0-10V Dimmable

DR-40W24VDC-DIMW-0-10V-OUT - up to 12 pieces

IP68 Connectors (optional - waterproof butt connectors and heat shrink included with fixture)

2-Way "I" Connector

PL-CON-2W-I-IP68



3-Way "T" Connector

PL-CON-3W-T-IP68

