

# Geco Mini



The PURALUCE GECO MINI can be wall, ceiling, floor or ground mounted. It is directional spot luminaire constructed of aluminum. Suitable for indoor and outdoor lighting applications. There are three standard finishes and three beam distributions of 20, 30 and 50 degrees. Available in color temperatures 2700K, 3000K and 4000K. The GECO MINI operates on 24VDC or 500mA constant current.

## Standard Finishes

grey painted  
natural copper  
corten



Grey Painted



Natural Copper



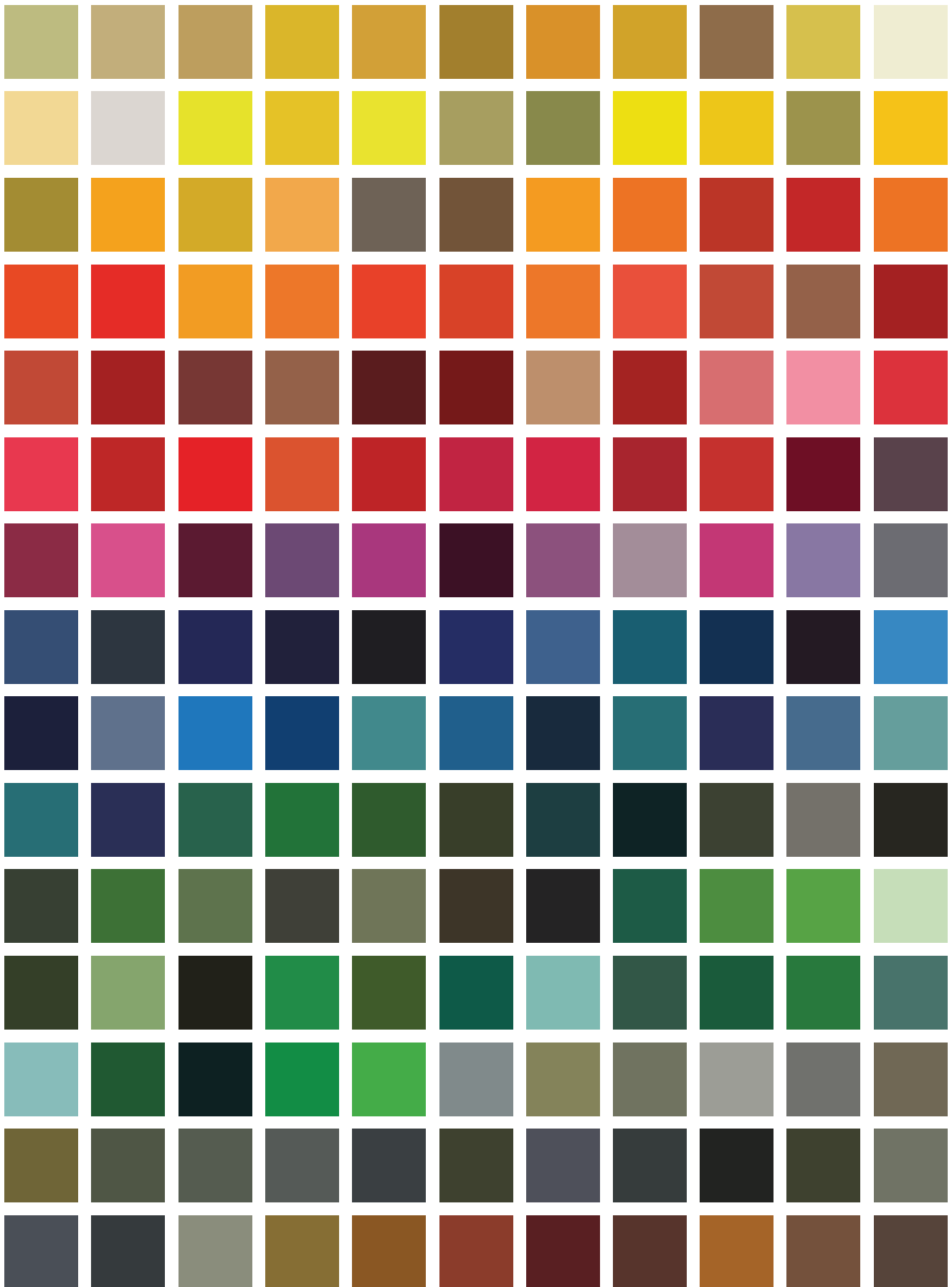
Corten

JOB:

TYPE:

QUANTITY:

NOTES:



Some of our custom color options. Fixtures can be customized to any RAL color.

**Technical Data**



**Input**

24VDC or 500mA

**Wattage**

8W

**Color Temperatures**

2700°K (WW), 3000°K (W), 4000°K (N)

2 step MacAdam ellipse binning

**CRI / R9**

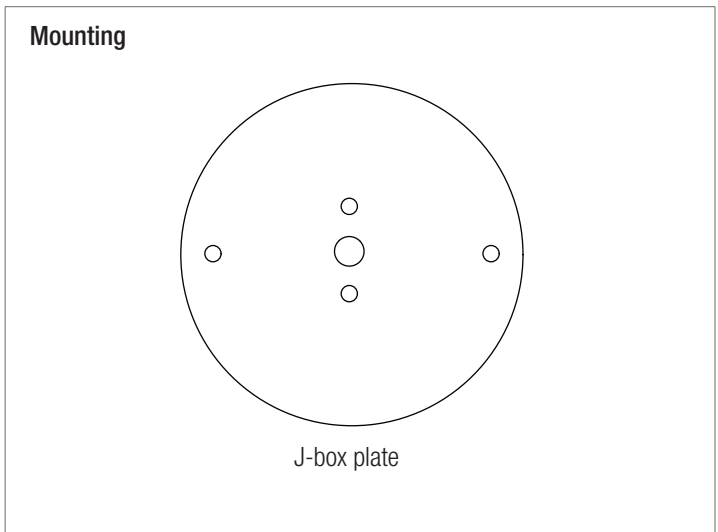
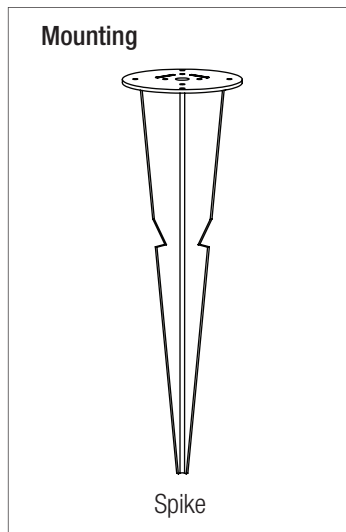
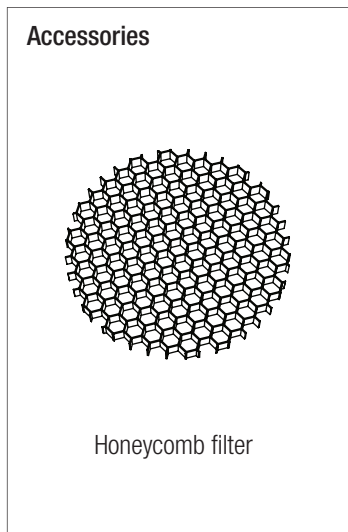
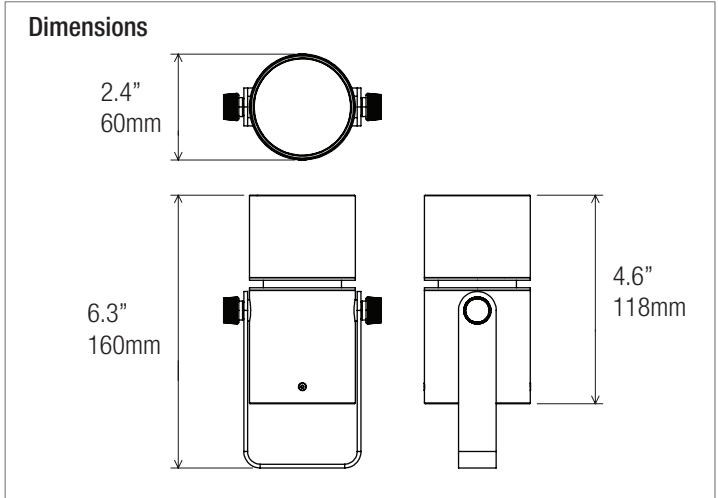
92 / 82

**Lumens**

950 lm (W), 1155 lm (N)

**Optics**

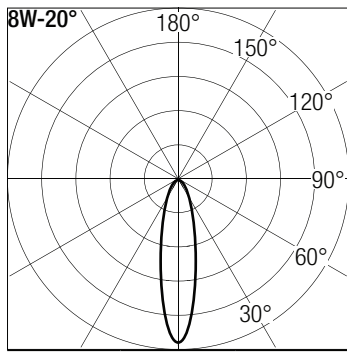
20°, 30°, 50°



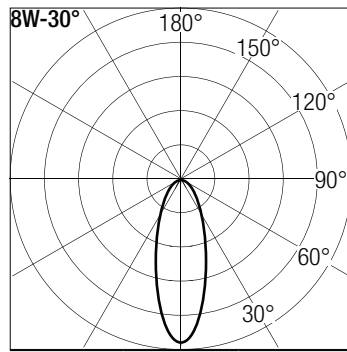
**Order Code:**

Code	Wattage	Input	CRI & CCT	Optic	Finish	Accessory (optional)	Mounting (optional)
GECM -	8W -	-	-	-	-	-	-
	<b>24VDC</b> = 24VDC		<b>927</b> = 90 CRI, 2700°K	<b>20</b> = 20°	<b>GY</b> = Grey	<b>HCF</b> = Honeycomb Filter	<b>SPK</b> = Spike
	<b>500MA</b> = 500mA		<b>930</b> = 90 CRI, 3000°K	<b>30</b> = 30°	<b>NC</b> = Natural Copper		<b>JBP</b> = J-box plate
			<b>940</b> = 90 CRI, 4000°K	<b>50</b> = 50°	<b>CT</b> = Corten		
					<b>XX</b> = Custom		

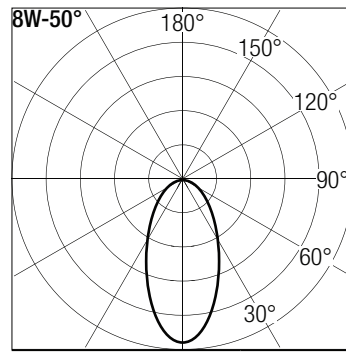
**Photometric Data**



h (m)	E (lx)	D (cm)
1	3613	28
1,5	1492	42
2	810	56
2,5	508	70
3	348	85



h (m)	E (lx)	D (cm)
1	2504	46
1,5	1029	69
2	557	92
2,5	349	115
3	240	138



h (m)	E (lx)	D (cm)
1	2041	82
1,5	836	124
2	453	165
2,5	284	207
3	194	248

**Drivers**

**500mA Universal 0.1% Dimmable (120V / 0-10V)**

DR-25WUNV-DIMI - Up to 3 pieces

**24VDC Universal 5% Dimmable (120V-277V / TRIAC/ELV/0-10V)**

DR-30W24VDC-DIMS-UNV - Up to 3 pieces