

## Down 65



The PURALUCE DOWN 65 surface mounted LED cylinder is constructed of solid brass and a PMMA lens. There are four standard finishes and beam distribution options of 20°, 30° and 50° degrees. Available in color temperatures 2700K, 3000K and 4000K. The Down 65 operates on 24VDC or 350mA constant current.

### Standard Finishes

**Body**

- white
- grey
- ever-bright brass
- natural copper



White



Grey



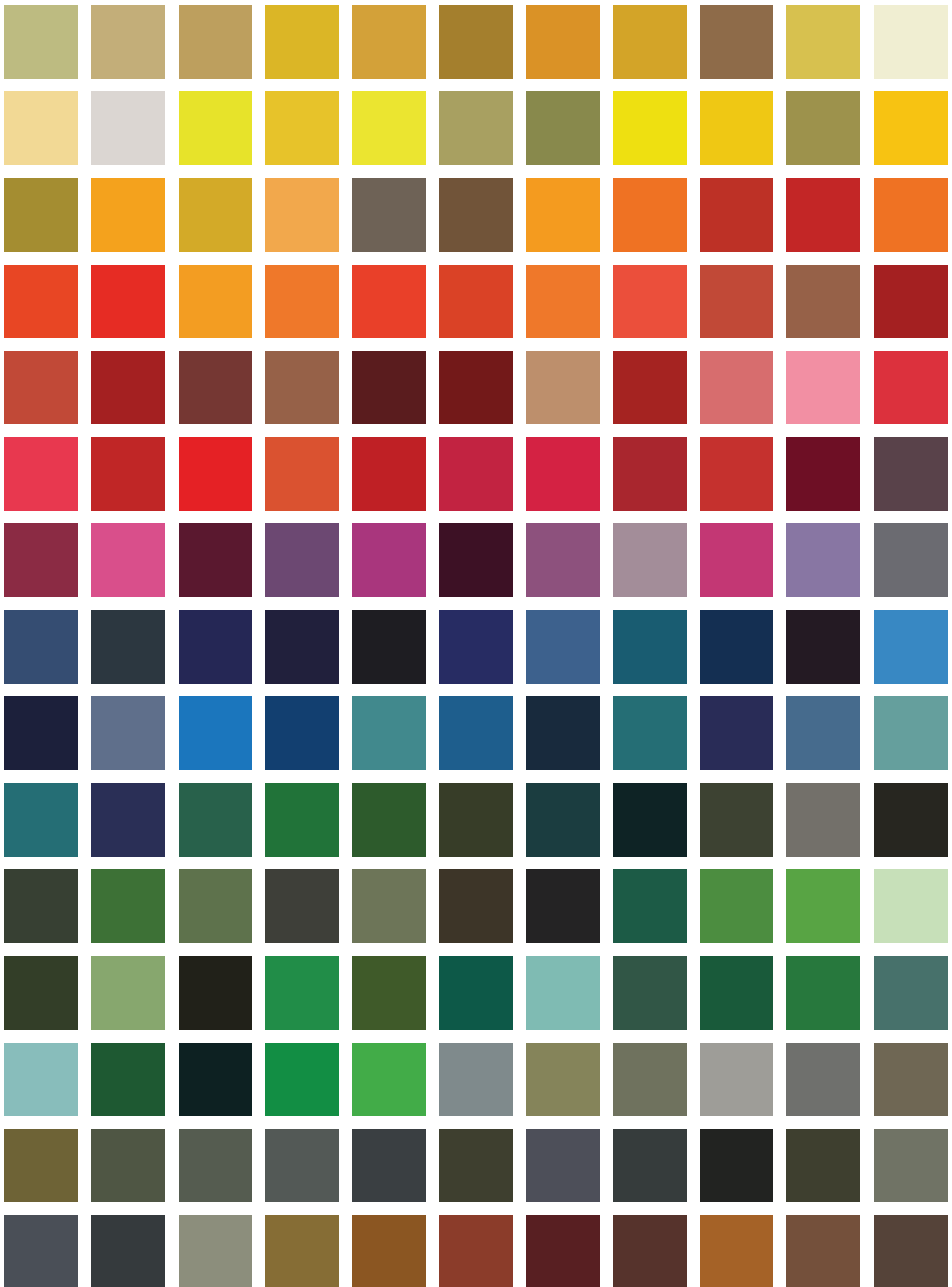
Ever-bright Brass



Natural Copper

|      |       |           |
|------|-------|-----------|
| JOB: | TYPE: | QUANTITY: |
|------|-------|-----------|

NOTES:



Some of your custom color options. Fixtures can be customized to any RAL color.

**Technical Data**

**Current**

350mA (when using CC)\*

**Voltage**

17V (when using CC)\*  
24VDC

**Wattage**

8W

**Color Temperatures**

2700°K (WW), 3000°K (W), 4000°K (N)  
3 step MacAdam ellipse binning

**CRI / R9**

92 / 84

**Lumens**

869 lm (WW) 885lm (W) 937 lm (N)

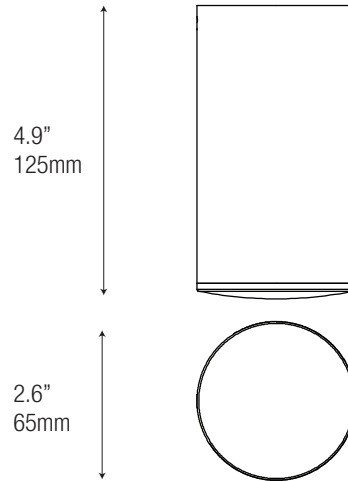
**Optic**

20°, 30°, 50°

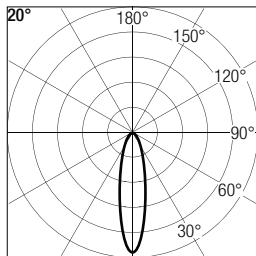
\*using CC option will allow for the best dimming performance,  
1% (phase), 0.1% (0-10V)



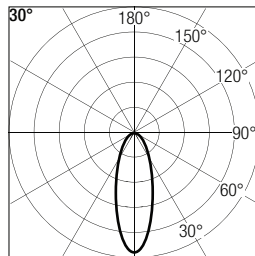
**Dimensions**



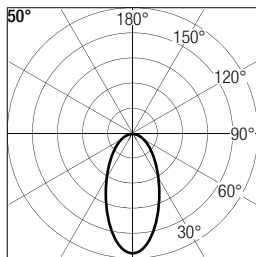
**Photometric data**



| h (m) | E (lx) | D (cm) |
|-------|--------|--------|
| 1     | 2529   | 28     |
| 1,5   | 1044   | 42     |
| 2     | 567    | 56     |
| 2,5   | 355    | 70     |
| 3     | 243    | 85     |

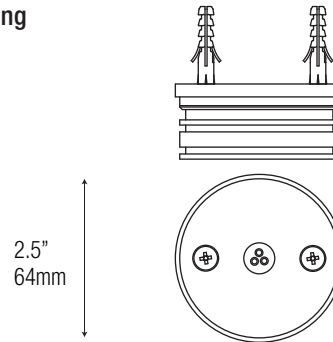


| h (m) | E (lx) | D (cm) |
|-------|--------|--------|
| 1     | 1752   | 46     |
| 1,5   | 720    | 69     |
| 2     | 389    | 92     |
| 2,5   | 244    | 115    |
| 3     | 168    | 138    |

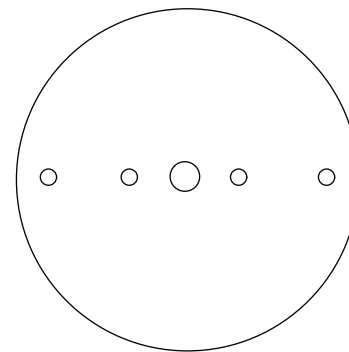


| h (m) | E (lx) | D (cm) |
|-------|--------|--------|
| 1     | 1428   | 82     |
| 1,5   | 585    | 124    |
| 2     | 317    | 165    |
| 2,5   | 198    | 207    |
| 3     | 135    | 248    |

**Mounting**



mounting bracket



J-box plate (optional)

**Order Code**

| Code | Wattage | Power In                                     | CRI & CCT   | Optic   | Body Finish   | Plate Finish (optional)   |
|------|---------|--|---|---|---|---|
| D65  | - 8W    | -  | -   | -   | -   | -   |
|      |         | <b>24VDC</b> = 24VDC<br><b>350MA</b> = 350mA | <b>927</b> = 90 CRI, 2700°K<br><b>930</b> = 90 CRI, 3000°K<br><b>940</b> = 90 CRI, 4000°K | <b>20</b> = 20°<br><b>30</b> = 30°<br><b>50</b> = 50° | <b>WH</b> = White<br><b>GY</b> = Grey<br><b>CT</b> = Corten<br><b>NC</b> = Natural Copper<br><b>XX</b> = Custom | <b>WH</b> = White<br><b>GY</b> = Grey<br><b>CT</b> = Corten<br><b>NC</b> = Natural Copper<br><b>XX</b> = Custom |

Eg. D65-8W-24VDC-930-50-NC-WH

**Drivers - Constant Current 350mA**

**Phase/0-10V Dimmable**

DR-30W350MA-DIML-UNV - 3 pieces

**Drivers - 24VDC**

**Non-dimmable**

DR-30W24VDC-OUT - 1 to 3 pieces

**Phase/0-10V Dimmable**

DR-60W24VDC-DIMS-UNV - 1 to 6 pieces