

Layer



The PURALUCE LAYER wall sconce combining Italian design with LED technology to create a beautiful addition to any project. Available in color temperatures 2700K, 3000K and 4000K.

Standard Finishes

Body

silver anodized aluminum
black anodized aluminum
white



Silver Anodized Aluminum



Black Anodized Aluminum



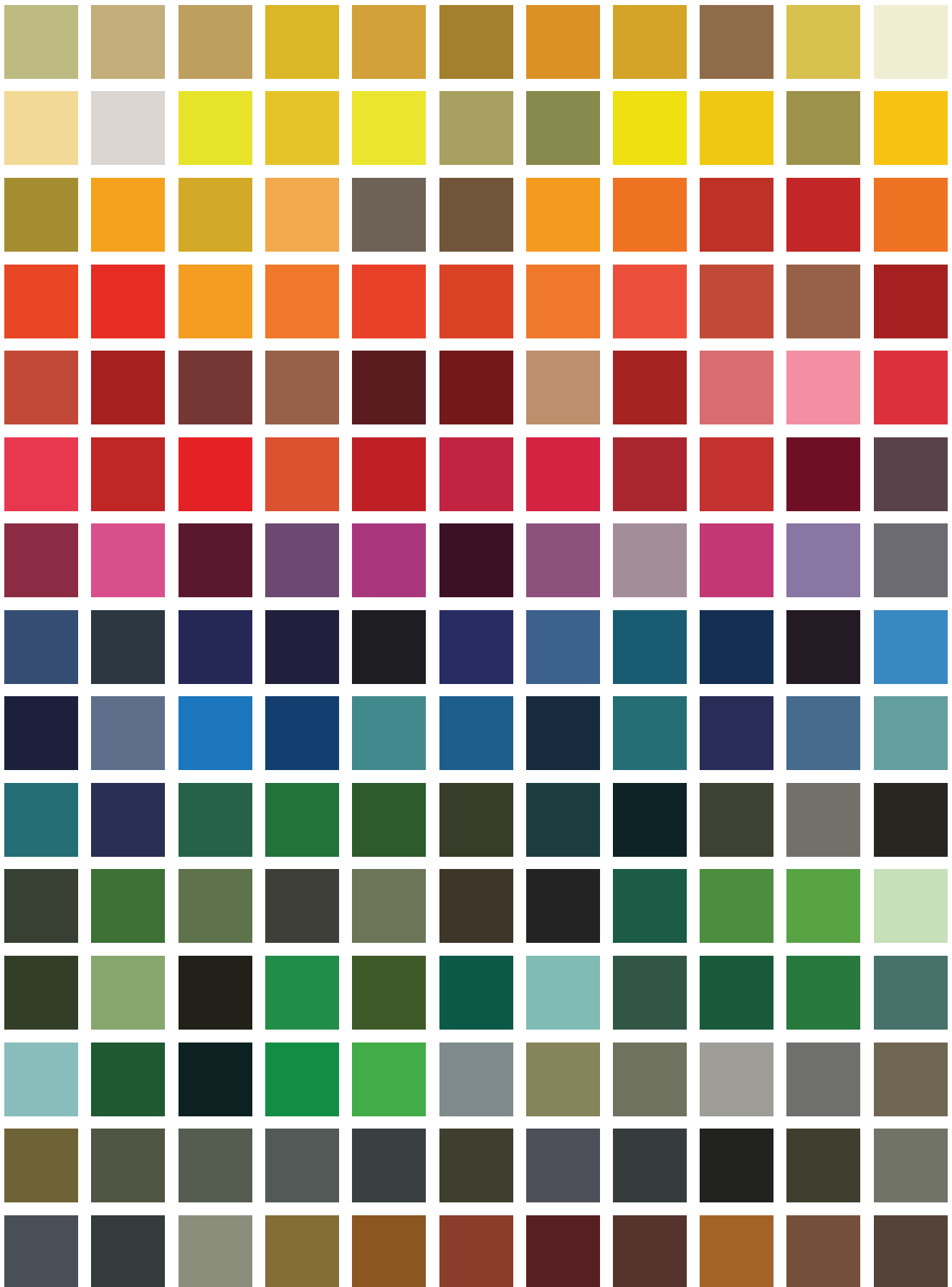
White

JOB:

TYPE:

QUANTITY:

NOTES:



Some of your custom color options. Fixtures can be customized to any RAL color.

Technical Data

Current

350mA (when using CC)*

Voltage

17V (when using CC)*
24VDC

Wattage

15W

Color Temperatures

2700°K (WW), 3000°K (W), 4000°K (N)
3 step MacAdam ellipse binning

CRI / R9

92 / 84

Lumens

1563 lm (WW) 1596lm (W) 1702 lm (N)

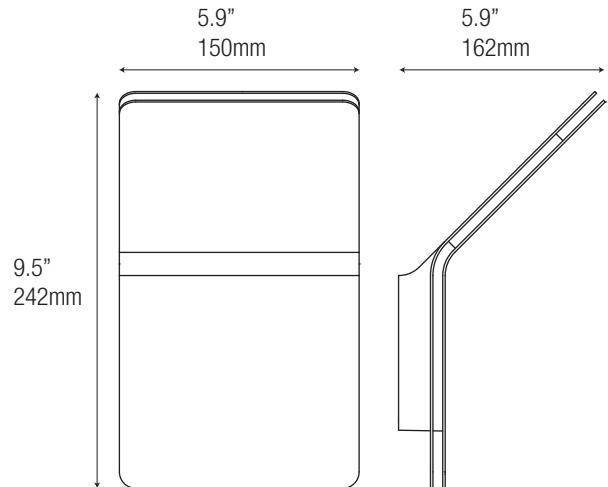
Optic

120°

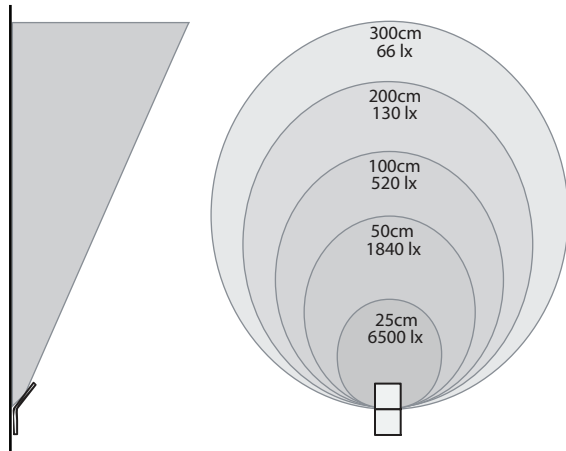
*using CC option will allow for the best dimming performance,
1% (phase), 0.1% (0-10V)



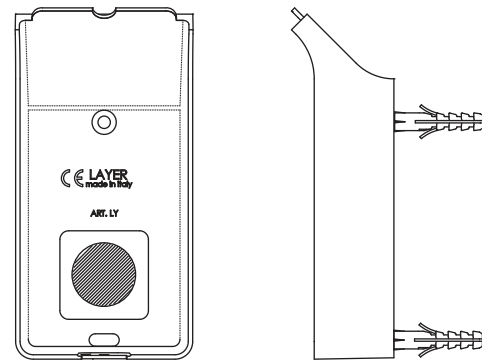
Dimensions



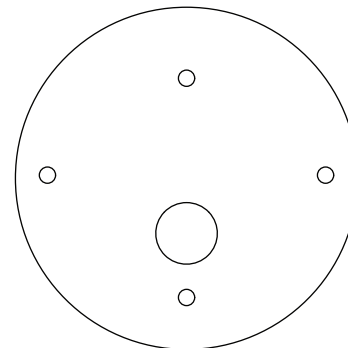
Photometric data



Mounting



mounting bracket



J-box plate (optional)

Order Code

Code	Wattage	Power In	CRI & CCT	Body Finish	Plate Finish (optional)
LAY	15W				

24VDC = 24VDC
350MA = 350mA

927 = 90 CRI, 2700°K
930 = 90 CRI, 3000°K
940 = 90 CRI, 4000°K

SAA = Silver Anodized Aluminum
BAA = Black Anodized Aluminum
WH = White
XX = Custom

GY = Grey
BL = Black
WH = Wwhite
XX = Custom

Eg. LAY-15W-24VDC-930-BAA-WH

Drivers - Constant Current 350mA

Phase/0-10V Dimmable

DR-16W350MA-DIML-UNV - 1 piece

Drivers - 24VDC

Phase/0-10V Dimmable

DR-16W24VDC-DIML-UNV - 1 pieces