

Next



NEXT is a versatile die-cast aluminum architectural accent luminaire. NEXT can be mounted at low levels to provide pathway illumination or it can be mounted above eye level to accent entrances and architectural elements such as columns. When mounted indirectly it can provide subtle redirected light from the ceiling. It can also be applied as a simple marker light. With a CRI of 93 and an R9 value of 82, the LED sources provide exceptional color rendering. The color consistency is further ensured by 2-step MacAdam ellipse binning. The durable die-cast construction allows this product to be applied in both interior and exterior IP65 applications. NEXT is available in 4 standard finishes with the option to create a one-of-a-kind lighting element with a custom painted color. The classic Italian design of NEXT combined with the latest LED technology will provide quality illumination and architectural integrity to any project.

Standard Finishes

- white painted
- corten painted
- shining palladium
- golden palladium
- natural copper
- zinc



White



Corten Painted



Shining Palladium



Gold Palladium



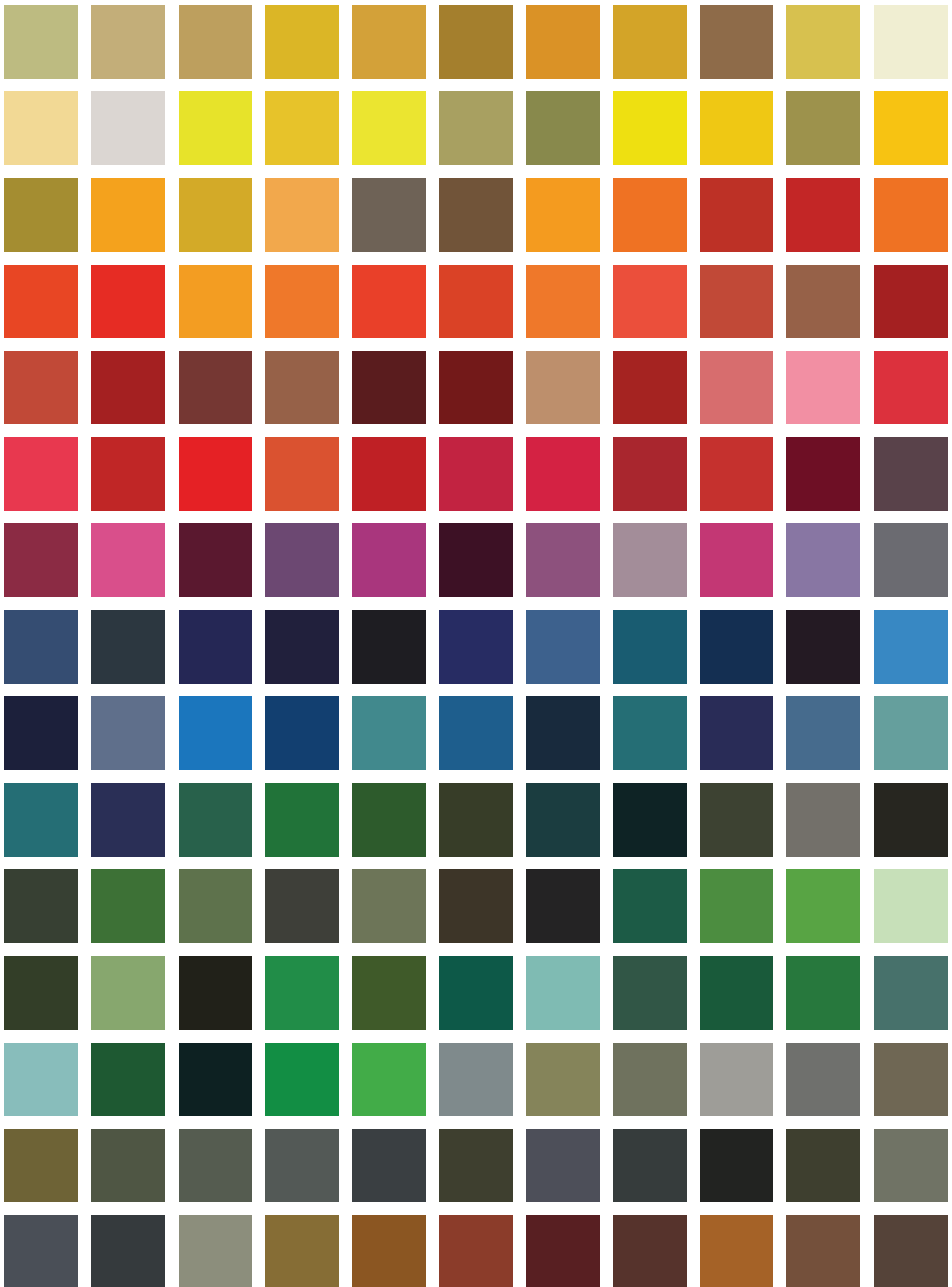
Natural Copper



Zinc

JOB:	TYPE:	QUANTITY:
------	-------	-----------

NOTES:



Some of your custom color options. Fixtures can be customized to any RAL color.

Technical Data



Input

24Vdc

Wattage

3W

Color Temperatures

2700°K (WW), 3000°K (W), 4000°K (N)

2 step MacAdam ellipse binning

CRI / R9

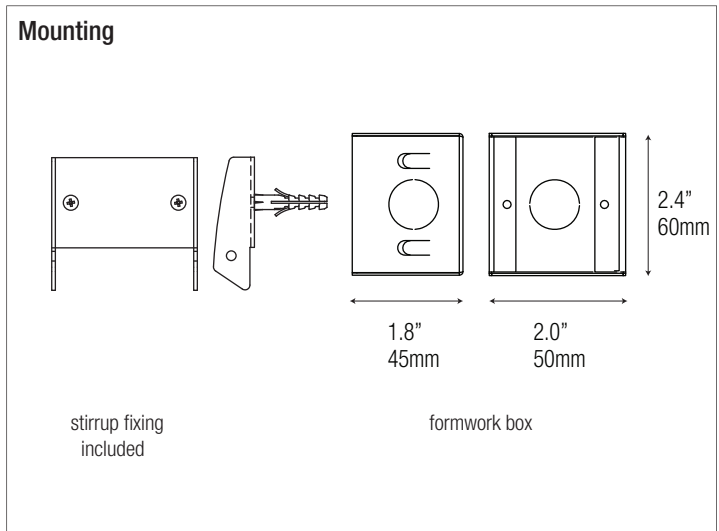
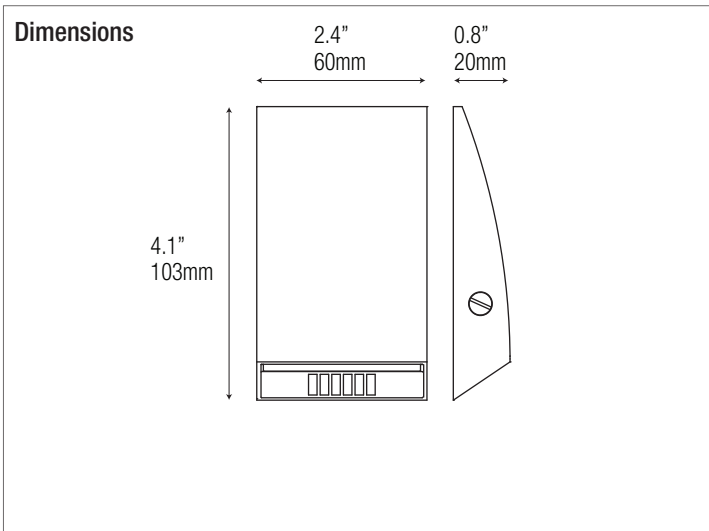
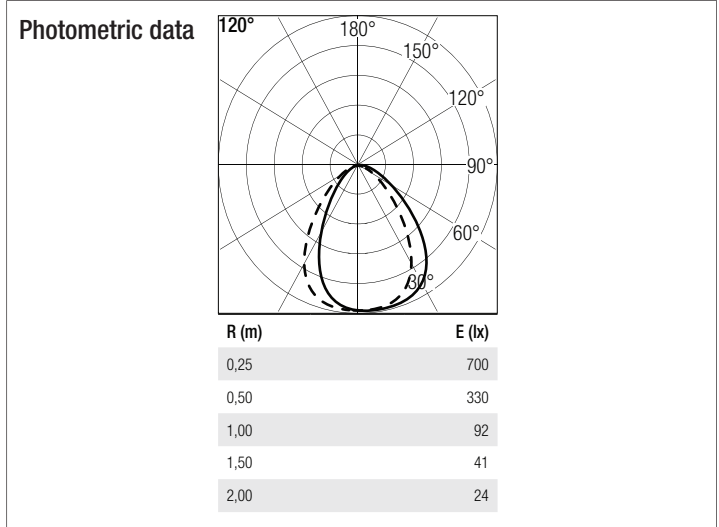
92 / 84

Lumens

359 lm (WW) 375 lm (W) 426 lm (N)

Optic

120°



Order Code:

Code Wattage Voltage CRI & CCT Finish Mounting (optional)

NXT - 3W - 24VDC - - - -

927 = 90 CRI, 2700°K
930 = 90 CRI, 3000°K
940 = 90 CRI, 4000°K

WH = White
CT = Corten
SP = Shining Palladium
GP = Gold Palladium
NC = Natural Copper
ZN = Zinc
XX = Custom

FWB = Formwork box

Drivers

Non-dimmable

DR-30W24VDC-OUT - 1 to 9 pieces

Phase Dimmable

DR-24W24VDC-DIMA - 1 to 7 pieces

Universal Phase / 0-10V Dimmable

DR-30W24VDC-DIMS-UNV - 1 to 9 pieces