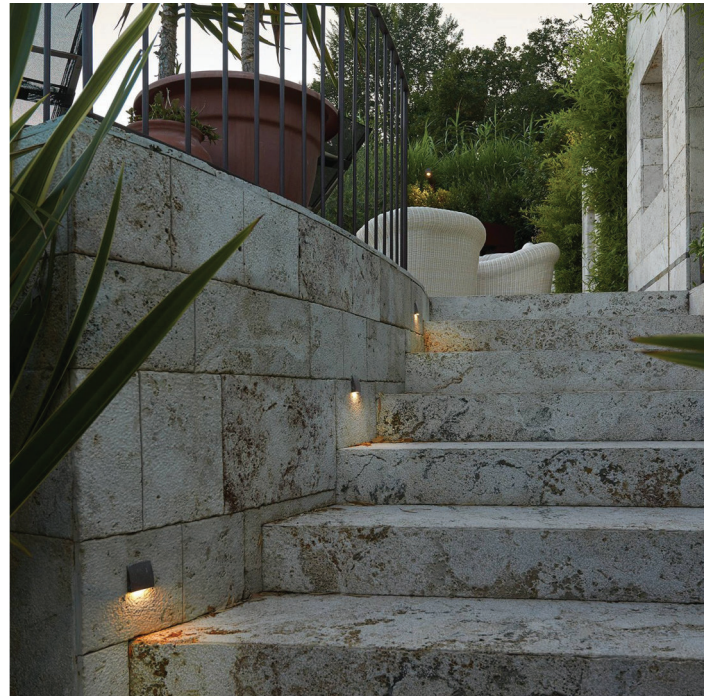


Step



The STEP is a miniature die-cast discrete architectural accent light, STEP provides soft, even illumination for stairs, theater seating aisles and corridors. It can also be applied as a simple walkway marker light. With a CRI of 93 and an R9 value of 82, these LED sources provide exceptional color rendering. The color consistency is further ensured by 2-step MacAdam ellipse binning. Durable die-cast construction allows this product to be used in both interior and exterior IP65 applications. STEP is available in 6 standard finishes with the option to create a one-of-a-kind lighting element with a custom painted color. The classic Italian design of STEP combined with modern LED technology provides illumination and architectural integrity to any project.

Standard Finishes

- white painted
- corten painted
- shining palladium
- golden palladium
- natural copper
- zinc



White



Corten Painted



Shining Palladium



Gold Palladium



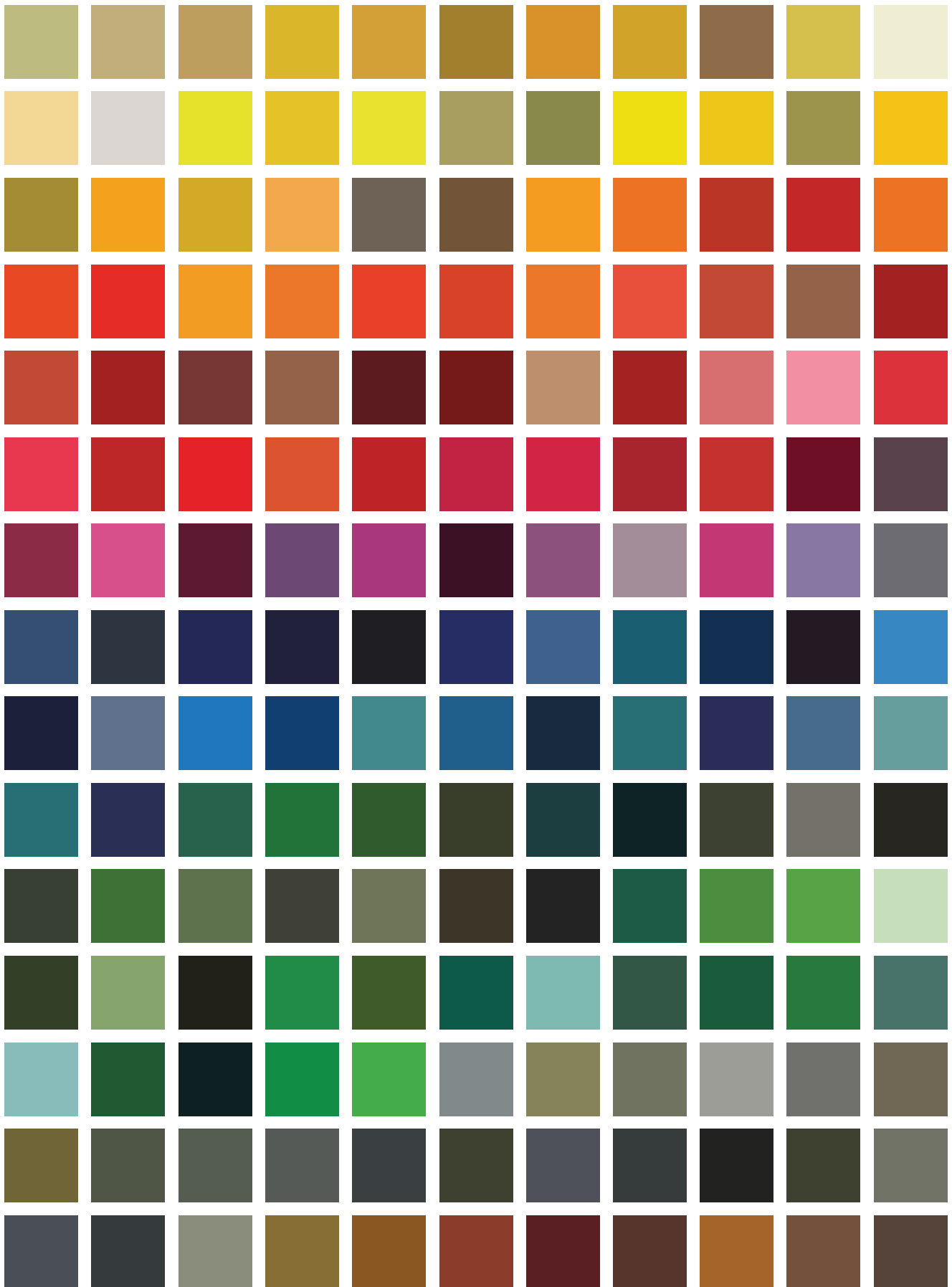
Natural Copper



Zinc

JOB:	TYPE:	QUANTITY:
------	-------	-----------

NOTES:



Some of your custom color options. Fixtures can be customized to any RAL color.

Technical Data



Input

24Vdc

Wattage

1.1W

Color Temperatures

2700°K (WW), 3000°K (W), 4000°K (N)

2 step MacAdam ellipse binning

CRI / R9

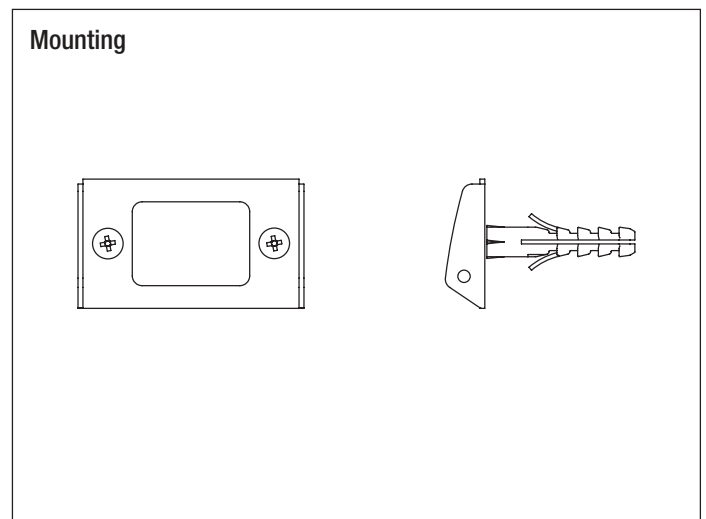
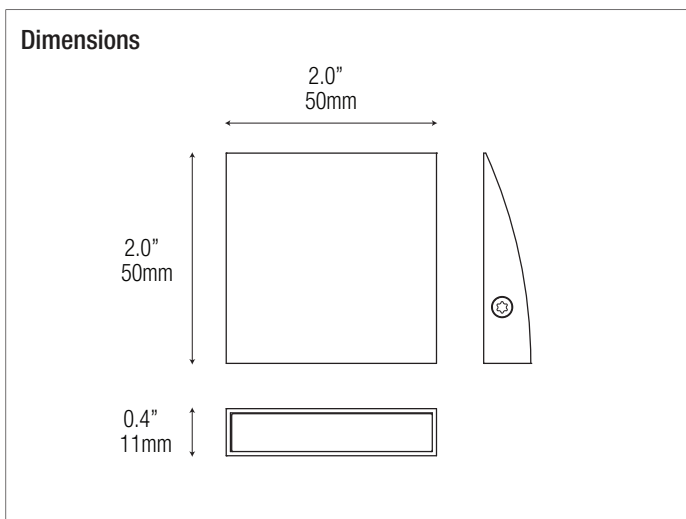
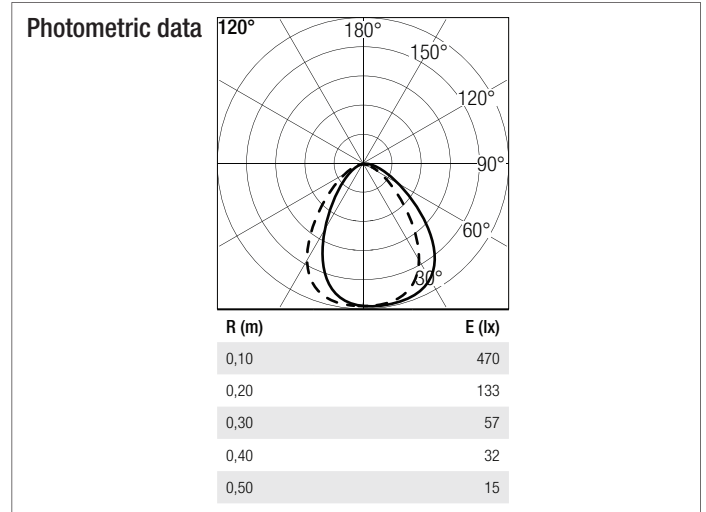
92 / 84

Lumens

140 lm (WW) 150 lm (W) 170 lm (N)

Optic

120°



Order Code:

Code Wattage Voltage CRI & CCT Finish
 STP - 1W - 24VDC - - -

- 927** = 90 CRI, 2700°K **WH** = White
- 930** = 90 CRI, 3000°K **CT** = Corten
- 940** = 90 CRI, 4000°K **SP** = Shining Palladium
- GP** = Gold Palladium
- NC** = Natural Copper
- ZN** = Zinc
- XX** = Custom

Drivers

Non-dimmable

DR-30W24VDC-OUT - up to 25 pieces

Phase Dimmable

DR-24W24VDC-DIMA - up to 20 pieces

Universal Phase / 0-10V Dimmable

DR-30W24VDC-DIMS-UNV - up to 25 pieces