

Up&Down 40



The PURALUCE UP&DOWN 40 wall mounted LED cylinder is constructed of solid brass with PMMA lenses. There are four standard finishes and beam distribution options of 12 and 30 degrees. Available in color temperatures 2700K, 3000K and 4000K. The UP&DOWN 40 operates on 24VDC or 700mA constant current.

Standard Finishes

Body

- white
- grey
- ever-bright brass
- natural copper



White Painted



Grey Painted



Ever-bright Brass



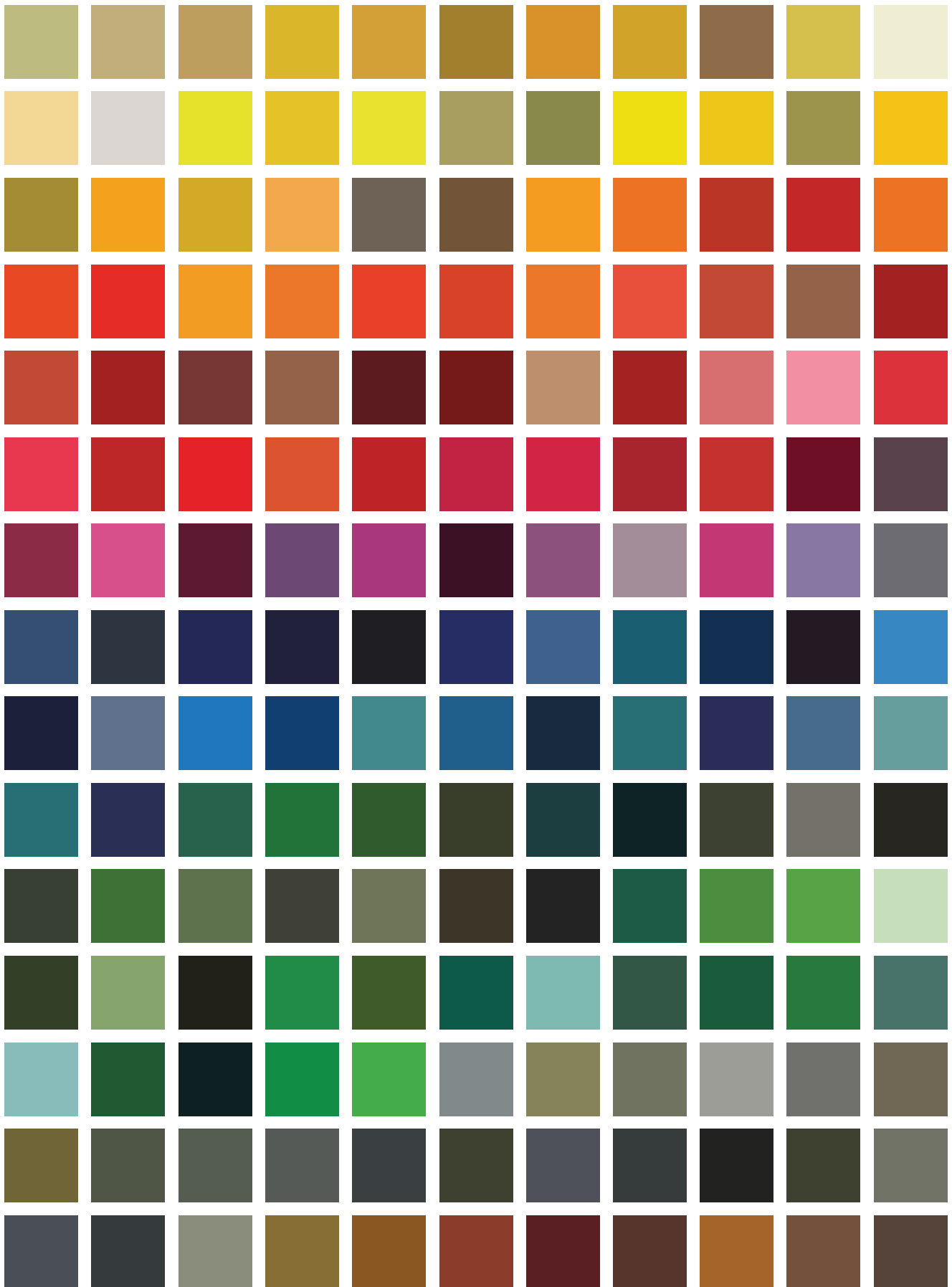
Natural Copper

JOB:

TYPE:

QUANTITY:

NOTES:



Some of your custom color options. Fixtures are able to be customized to any RAL color.

Technical Data



Current

700mA (when using CC)*

Voltage

4 ~ 6V (when using CC)*
24VDC

Wattage

3W + 3W

Color Temperatures

2700°K (WW), 3000°K (W), 4000°K (N)
3 step MacAdam ellipse binning

CRI / R9

92 / 84

Lumens

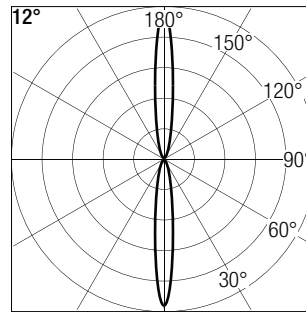
338 lm + 338lm (WW) 375 lm + 375lm (W) 426 lm + 426 lm (N)

Optic

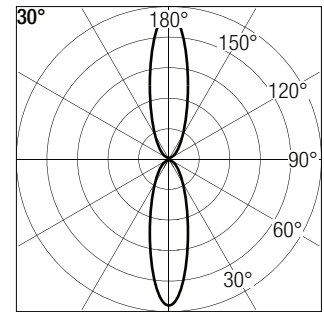
12°, 30°

*using CC option will allow for the best dimming performance,
1% (phase), 0.1% (0-10V)

Photometric data

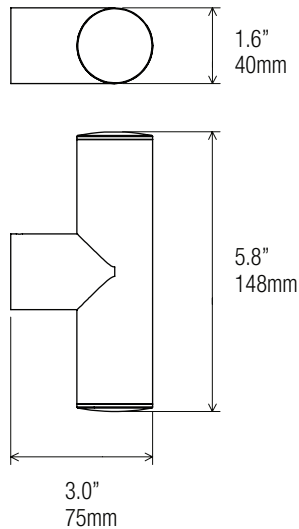


h (m)	E (lx)	D (cm)
1	2660	21
1,5	1134	31
2	695	42
2,5	425	52
3	303	63



h (m)	E (lx)	D (cm)
1	646	53
1,5	285	80
2	160	107
2,5	103	133
3	71	160

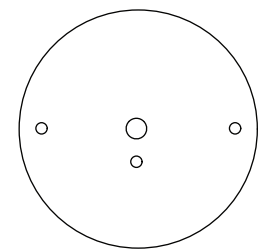
Dimensions



Mounting



mounting bracket



J-box plate (optional)

Order Code

Code	Wattage	Power In	CRI & CCT	Optic	Body Finish	Plate Finish (optional)
U&D40	6W					
		24VDC = 24VDC 700MA = 700mA	927 = 90 CRI, 2700°K 930 = 90 CRI, 3000°K 940 = 90 CRI, 4000°K	12 = 12° 30 = 30°	WH = White Painted GP = Grey Painted CT = Ever-bright Brass NC = Natural Copper XX = Custom	WH = White Painted GP = Grey Painted CT = Ever-bright Brass NC = Natural Copper XX = Custom

Eg. U&D40-6W-24VDC-930-30-NC-WH

Drivers - Constant Current 700mA

Universal Dimmable (TRAIC/ELV/0-10V)

DR-15W700MA-DIML-UNV - 2 pieces

Drivers - 24VDC

Non-dimmable

DR-30W24VDC-OUT - 1 to 3 pieces

Phase/0-10V Dimmable

DR-30W24VDC-DIMS-UNV - 1 to 3 pieces