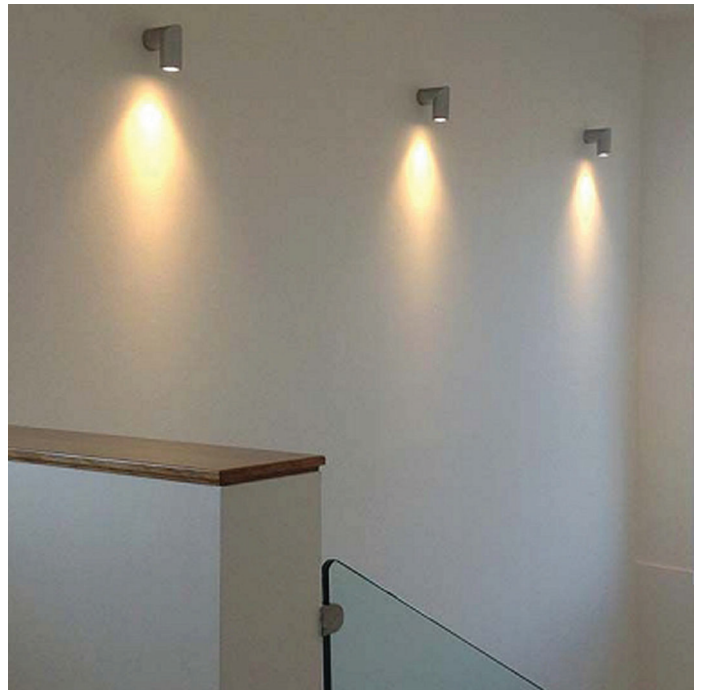


Up or Down 40



The PURALUCE UP or DOWN 40 wall mounted LED luminaire is constructed of solid brass. There are four standard finishes and two beam distributions of 12 and 30 degrees. Available in color temperatures 2700K, 3000K and 4000K. The Up or Down 40 operates on 24VDC or 700mA constant current. Choose whichever orientation you prefer for uplighting or downlighting architectural elements.

Standard Finishes

Body

- white
- grey
- ever-bright brass
- natural copper
- ever-bright copper



White



Grey



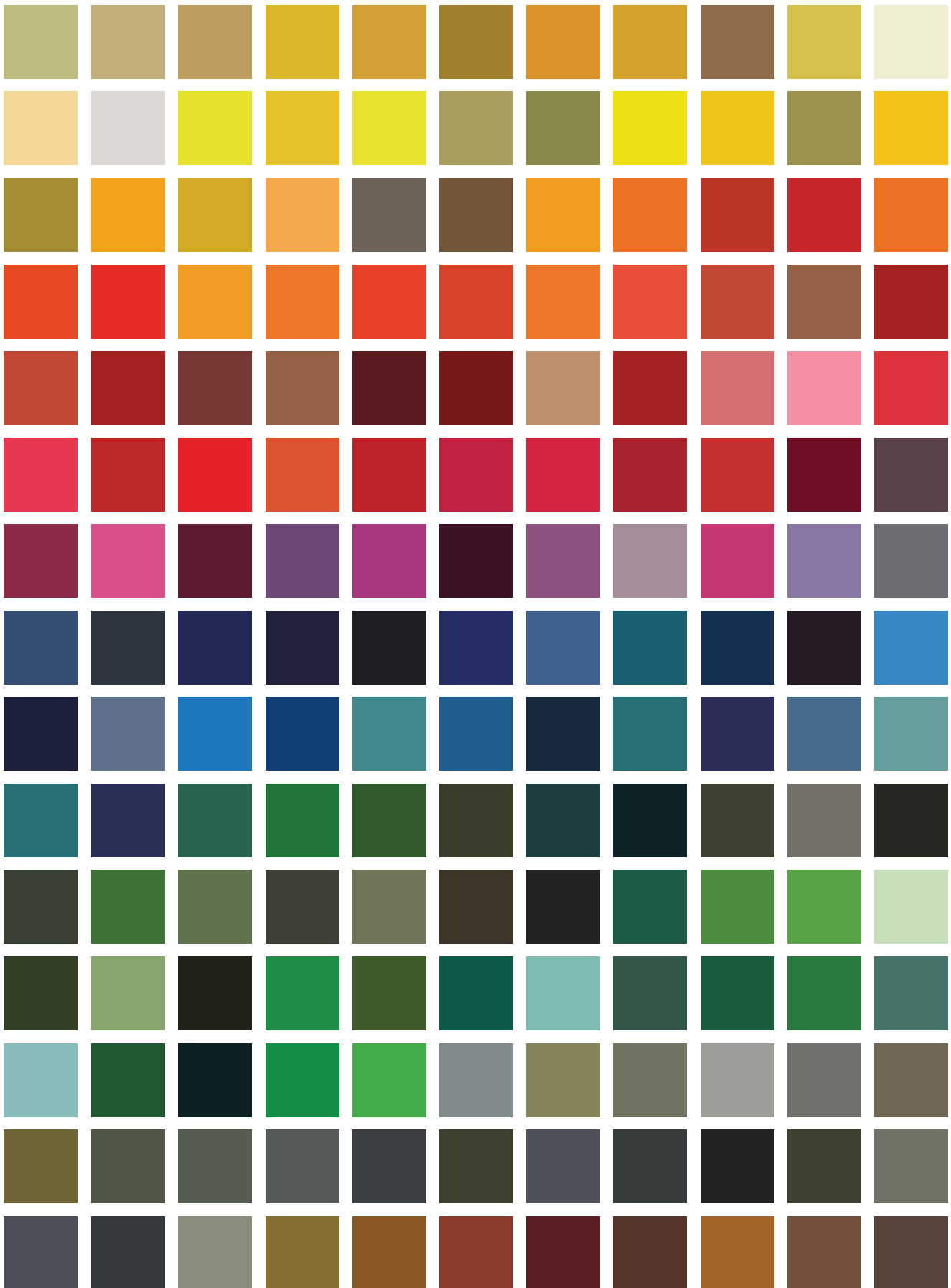
Ever-bright Brass



Natural Copper

JOB:	TYPE:	QUANTITY:
------	-------	-----------

NOTES:



Some custom color options. Fixtures can be customized to any RAL color.

Technical Data

Current

700mA (when using CC)*

Voltage

2~3V (when using CC)*

24VDC

Wattage

3W

Color Temperatures

2700°K (WW), 3000°K (W), 4000°K (N)

2 step MacAdam ellipse binning

CRI / R9

92 / 84

Lumens

338 lm (WW) 375lm (W) 426 lm (N)

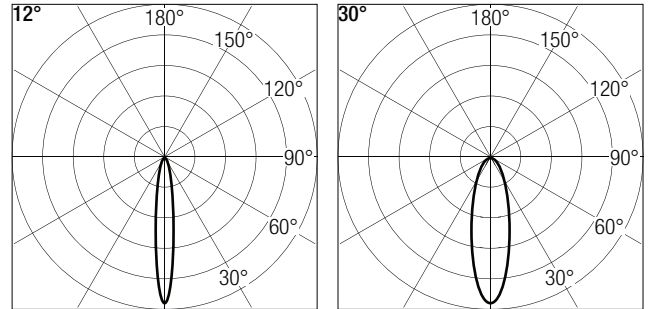
Optic

12°, 30°

*using CC option will allow for the best dimming performance, 1% (phase), 0.1% (0-10V)

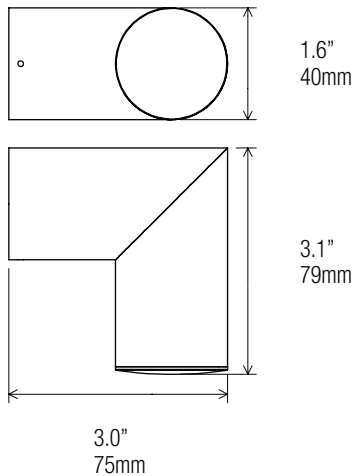


Photometric data

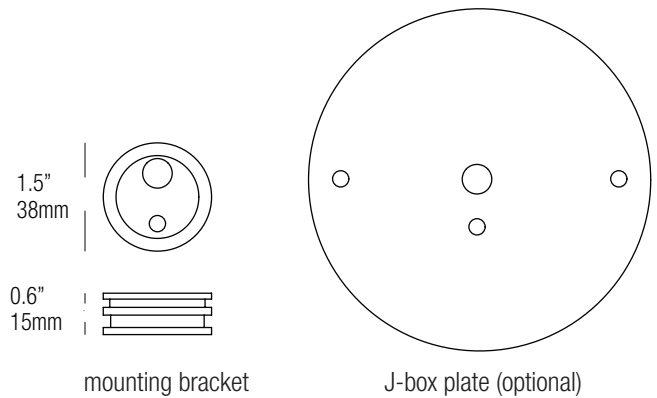


h (m)	E (lx)	D (cm)	h (m)	E (lx)	D (cm)
1	2660	21	1	646	53
1,5	1134	31	1,5	285	80
2	695	42	2	160	107
2,5	425	52	2,5	103	133
3	303	63	3	71	160

Dimensions



Mounting



Order Code

Code	Wattage	Power In	CRI & CCT	Optic	Body Finish	Plate Finish (optional)
UoD40	- 3W	-	-	-	-	-
		24VDC = 24VDC 700MA = 700mA	927 = 90 CRI, 2700°K 930 = 90 CRI, 3000°K 940 = 90 CRI, 4000°K	12 = 12° 30 = 30°	WH = White Painted GP = Grey Painted CT = Corten NC = Natural Copper XX = Custom	WH = White Painted GP = Grey Painted CT = Corten NC = Natural Copper XX = Custom

Eg. UoD40-3W-24VDC-940-12-WH-WH

Drivers - Constant Current 700mA

Universal Dimmable (TRAIC/ELV/0-10V)

DR-15W700MA-DIML-UNV - 4 pieces

Drivers - 24VDC

Non-dimmable

DR-30W24VDC-OUT - 1 to 9 pieces

Phase/0-10V Dimmable

DR-30W24VDC-DIMS-UNV - 1 to 9 pieces